



Smart solutions.  
Strong relationships.

# Crompton Pumps

## Sewage Submersible Pump



**STPM Series 1.0 HP-3.0HP**



**STPC Series 5.5HP & 7.5HP**

### PUMPS : AN OVERVIEW

Crompton Greaves Ltd, is the leading manufacturer of all types of pumps suitable for handling water, finding applications in Agricultural, Residential and Commercial Sectors.

Pumps manufactured by CG are customer friendly and are very reliable. CG has an ever increasing range of energy efficient pumps.

Today **Crompton Greaves Ltd** is the only company having a wide product range of more than 2000 varied pump models catering to different areas of application i.e. Residential, Agricultural & Commercial Sectors under one roof.

#### **Our product range broadly covers :**

**Submersible pump sets:** Suitable for Openwell and Borewell ranging from diameter 75mm to 250 mm

**Panels:** Suitable for Openwell and Borewell pumps upto 100 mm diameter

#### **GSM Controller**

**Cables:** Submersible cables up to 6 sq mm

**Surface mounted pumps :** Monosets in self-priming and non-self priming

#### **Solar Pumping System**

**Jet Pumps :** Shallow well, Multi stage, Twin Type and Packer Type

#### **Diesel engine driven Pump sets**

#### **Pressure Boosting System**

#### **Horizontal Split case pumps**

#### **End Suction Pumps in accordance with DIN 24255**

#### **Non Clog Dewatering Self priming pumps in bare shaft, monosets and coupled**

With a view to augment our manufacturing capabilities we have set up a large state of the art manufacturing plant, at MIDC Ahmednagar, with complete computerized testing facilities and adherence to latest quality standards to meet the varied needs of customers

The company has more than 350 models in the 4 star and 5 star category duly approved by the Bureau of Energy Efficiency a nodal agency under the Ministry of Power to serve varied needs in Agriculture and Industries.



## Submersible Pump (STP Series)



**STPM Series 1.0 HP-3.0HP**

### Feature:

#### STPM Series

- Impellers : Vortex type
- Solid Handling : Upto 35mm
- Motor Housing : Stainless steel

#### STPC Series

- Impellers : Single channel type
- Solid Handling : Upto 30mm
- Motor Housing : Cast Iron

### Applications :

- Construction Sites
- Swimming Pools
- Food processing industries
- Hotels & restaurants
- Paper mills
- Sewage treatment plants
- Sugar factories
- Waste water treatment plants

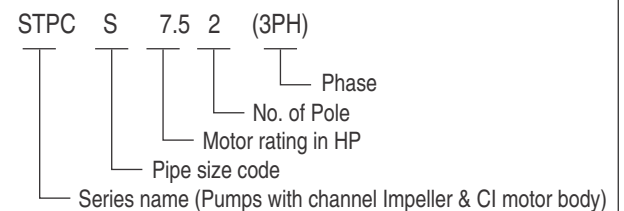
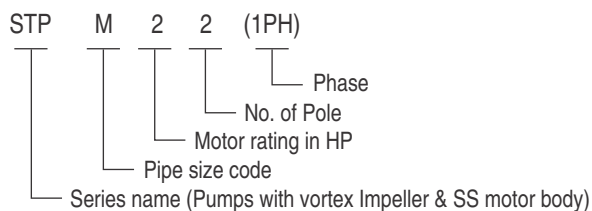


**STPC Series 5.5HP & 7.5HP**

### Components and Material of Construction:

Components	STPM	STPC
Cable	Poly Vinyl Chloride (PVC)	Poly Vinyl Chloride (PVC)
Cable Hood	Nitrile Butadiene Rubber	Stainless Steel (AISI 410)
Handle	Stainless Steel (AISI 410)	Not Applicable
Motor Cover	Cast Iron	Cast Iron
Seal Housing	Cast Iron	Cast Iron
Bracket	Not Applicable	Cast Iron
Oil Chamber	Cast Iron	Cast Iron
Pump Casing	Cast Iron	Cast Iron
Impeller	Cast Iron	Cast Iron
Oil Seal	Nitrile Butadiene Rubber	Nitrile Butadiene Rubber
Shaft	Stainless Steel (AISI 410)	Stainless Steel (AISI 410)
Motor Housing	SS304	Cast Iron
Tie Rods	SS304	Not Applicable
Mechanical Seal	Double Mechanical Seal (SiC+Carbon-Ceramic)	Double Mechanical Seal (SiC+Carbon-Ceramic)

### Model Identification

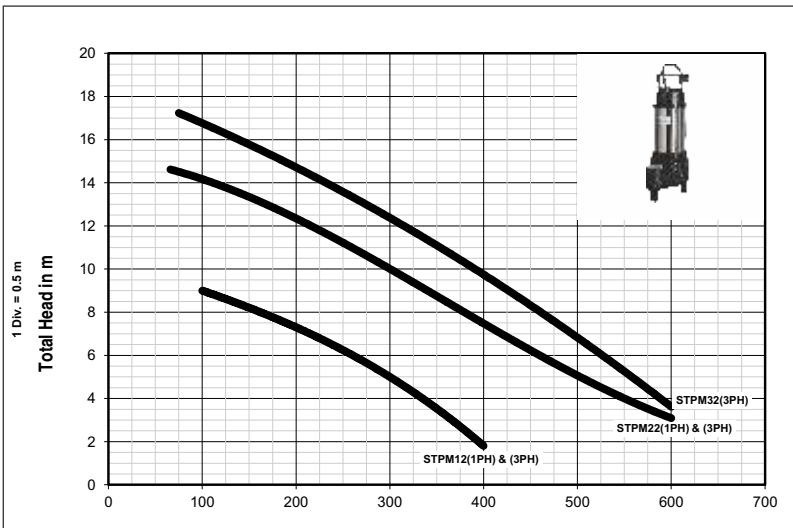


### Performance Chart for STP Series - Submersible Pumps

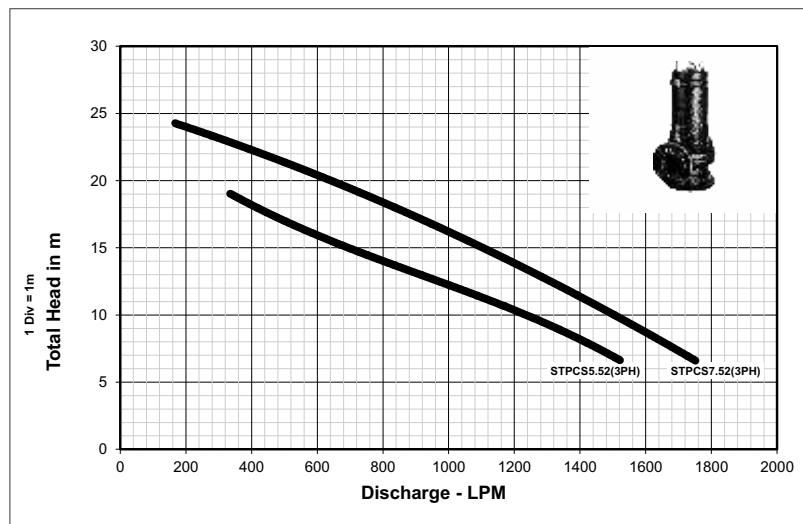
Type	Motor Rating		Del. Size mm	Solid Handling Capacity mm	Head(m)	Discharge (LPM)												
	kW	HP				100	200	300	400	500	600	800	900	1100	1200	1400	1500	
STPM12(1PH)	0.75	1.0	50	35	Head(m)	9	7	5	2									
STPM12(3PH)	0.75	1.0	50	35		9	7	5	2									
STPM22(1PH)	1.5	2.0	50	35		14	12	10	7	5	3							
STPM22(3PH)	1.5	2.0	50	35		14	12	10	7	5	3							
STPM32(3PH)	2.2	3.0	50	35		17	15	12	9	6	3							
STPCS5.52(3PH)	4.0	5.5	100	30					18	17	16	15	13	11	9			
STPCS7.52(3PH)	5.5	7.5	100	30					22	21	20	18	17	15	13	11	9	

Note : 1. Performance figure given above are approximate and may differ on site conditions.

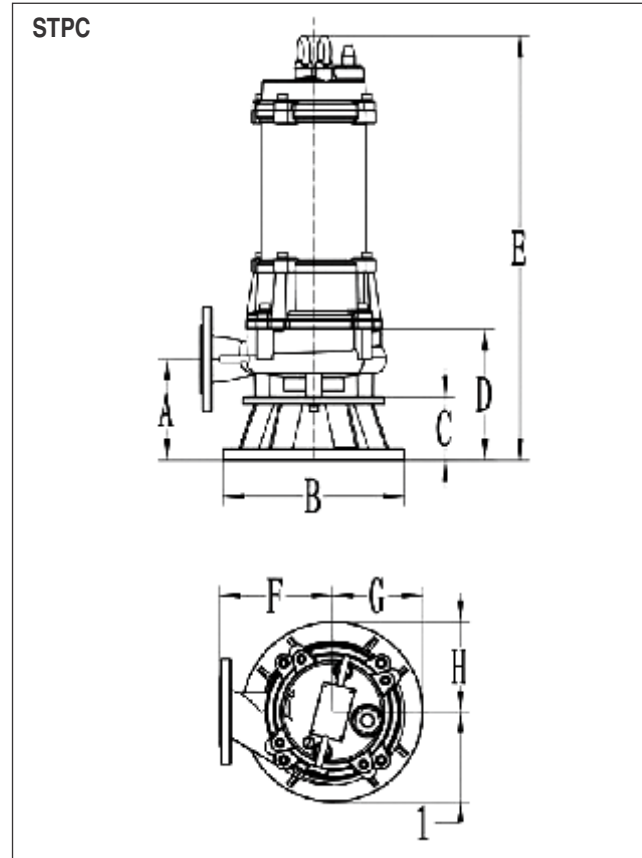
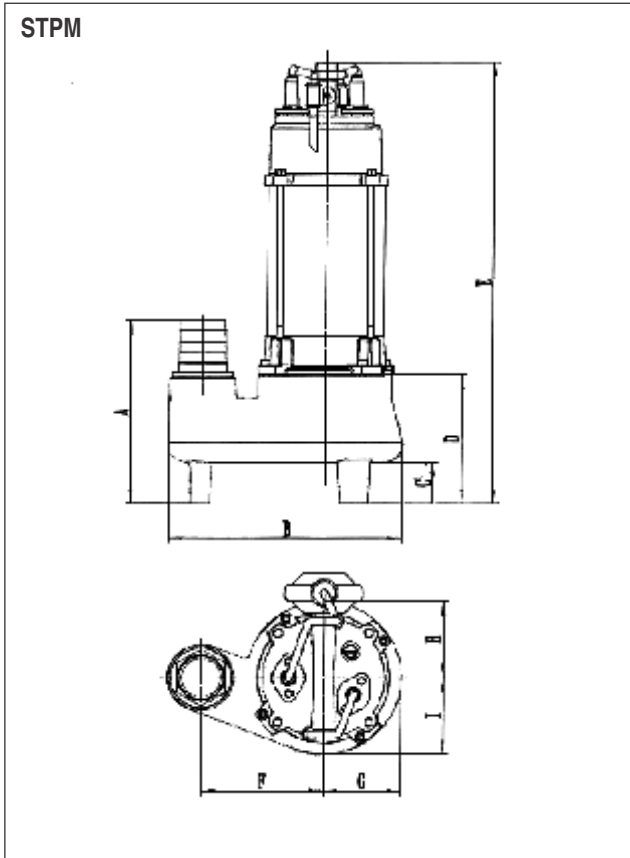
### STPM 50Hz, 2900 RPM



### STPCS 50Hz, 2900 RPM



## GA Drawings



### STPM

Model Name	A	B	C	D	E	F	G	H	I	Net Weight in Kg
STPM12 (1PH)	198	250	45	140	440	130	83	83	83	18
STPM12 (3PH)					480					22
STPM22 (1PH)					500					23
STPM22 (3PH)										
STPM32 (3PH)										

### STPC

Model Name	A	B	C	D	E	F	G	H	I	Net Weight in Kg
STPCS5.52 (3PH)	140	210	90	210	650	212	140	130	140	66
STPCS7.52 (3PH)					620					69

# Branch Address

## **NORTHERN REGION :**

### **NEW DELHI**

3rd Floor, Express Building  
9-10, Bahadur Shah Zafar Marg  
New Delhi- 110 002.  
Ph: 011- 23460761-770

### **RAJASTHAN**

Church Road, Post Box No : 173,  
Jaipur - 302 001.  
Ph: 0141 - 3018800/17/18/19

### **UTTAR PRADESH**

Saran Chambers II,  
3 rd Floor, 5 th Park Road,  
Lucknow - 226 012.  
Ph: 0522-4935755

### **PUNJAB**

B-12 / 407, 2 nd Floor,  
B/H Dada Motors,  
Near BSF Chowk, Ladowali Road,  
Jalandhar - 144 001  
Ph:0181- 3051310/23

## **EASTERN REGION :**

### **WEST BENGAL**

50, Chowringhee Road,  
Kolkata - 700 071.  
Ph: 033-22829681 to 9685

### **ORISSA**

Janpath Tower, (3rd Floor)  
Ashok Nagar, UNIT II,  
Bhubaneswar - 751 009.  
Ph: 0674-2531429, 2531128.

### **BIHAR**

5th Floor, 501, Lav-Kush Towers,  
Exhibition Road, Patna - 800 001  
Ph: 0612-2320050

### **ASSAM**

CKS Logistics Pvt Ltd  
G.S. Road, Dispur Near Car Ghar  
Guwahati -781 005  
Ph: 0361- 8811094991

## **WESTERN REGION :**

### **MAHARASHTRA**

Kanjurmarg (E),  
Mumbai - 400 042.  
Ph:022- 67558000,67558600,  
25780234,67558640,1 & 8501

Premium Point Building,  
4th Floor, Opp. Modern High  
School, J.M.Road, Shivajinagar,  
Pune - 411 005.  
Ph:020-25534675 - 677.

3, West High Court Road,  
Lal Bahadur Shastri Chowk,  
Dharampeth,  
Nagpur - 440 010.  
Ph:0712-2560870

### **GUJARAT**

909-916, Sakar II  
Near Ellis Bridge Police Station,  
Ahmedabad - 380006  
Ph:079-40012000 /  
26582780/7238

### **CHHATISGARH**

A 201, Crystal Arcade  
Near Lodhi Para Square,  
Shankar Nagar Road,  
Raipur - 492007  
Ph:0771 -4019201-210

### **MADHYA PRADESH**

103-B, Apollo Trade Centre,  
2B, Rajgarh Kothi, Mumbai-Agra  
Road, Indore - 452 001.  
Ph:0731- 2498269, 2498271,  
2495531, 420123.

## **SOUTHERN REGION :**

### **TAMIL NADU**

3 ,Dr.M.G.R.Salai (K.H. Road),  
Nungambakkam,  
Chennai - 600 034.  
Ph:044- 42247500, 28235533,  
42247537, 28257375

SF219, Annamalai Industrial Park,  
Kalapatti, Coimbatore- 641 048  
Ph:0422-3193101/02 /06

### **KERALA**

46/3387, Cochin House, 1st Floor,  
Arkakadavu Road, Vennala PO,  
Cochin - 682 028  
Ph:0484-2803860 / 61,  
2805862 / 63, 2807240

### **KARNATAKA**

1st Floor , "Janardhana Towers",  
562/640 , Bannerghatta Road,  
Bilekahalli  
Bengaluru - 560 076.  
Ph:080- 41391908,41391909

### **ANDHRA PRADESH**

Minerva House, 4th Floor,  
94, Sarojini Devi Road,  
Secundrabad - 500 003.  
Ph:040- 40002300, 40002347  
040-40002345,40002305

## **Crompton Greaves Limited** **Pumps Division**

Plot No. C-19, MIDC, Ahmednagar - 414 111  
Tel.: 0241-6606500

Regd. Office:  
CG House, 6th Floor, Dr. Annie Besant Road, Worli, Mumbai - 400 030, India  
W: www.cgglobal.com CIN No.: L99999MH1937PLC002641

