

DU Range of Moulded Case Circuit Breakers

A Journey of Continuous Upgradation



UTILITY



DG SET



BUILDING



UPS



BATTERY BANKS



CAPACITOR



ABOUT US

Larsen & Toubro is a technology-driven company that infuses engineering with imagination. The Company offers a wide range of advanced solutions in the field of Engineering, Construction, Electrical & Automation and Information Technology.

L&T Switchgear, a part of the Electrical & Automation business, is India's largest manufacturer of low voltage switchgear, with the scale, sophistication and range to meet global benchmarks. With over five decades of experience in this field, the Company today enjoys a leadership position in the Indian market with a growing international presence.

It offers a complete range of products including powergear, controlgear, industrial automation, building electricals & automation, reactive power management, energy meters, and protective relays. These products conform to Indian and International Standards.



Switchgear Factory, Baroda

INDEX

| Description | Page No. |
|---------------------------------|----------|
| Introduction | 1 |
| MCCB Enclosure | 1 |
| Salient Features | 2 |
| Technical Specifications | 3 |
| I-T Characteristic Curves | 5 |
| Dimensions | 6 |
| Ground Fault Module | 14 |



INTRODUCTION

The DU Series, a new generation of MCCBs, stands out due to its state-of-the-art design, contemporary user-friendly features, ergonomics, aesthetics and compactness.

DU Series complies with the latest standards like IS/IEC 60947-2, IEC 60947-2 & EN 60947-2. The products conform to international standards, carry $\text{C}\epsilon$ marking and are *KEMA* & CB certified.

The range is specially designed for tropical conditions, ensuring reliable performance at high ambient and humid environments. The range can satisfy the most demanding system requirements.

The DU Series, having a wide range of accessories, ensures operational safety, reliability and versatility.

MCCB ENCLOSURE

New Range of MCCB enclosures, Size I Enclosure suitable for DU100D/DU125D/DU100H/DU125H and Size II Enclosure suitable for DU250/DU250C. These standalone enclosures not only provides ample space for cable termination but are also superior in aesthetics.

- Conforms to IEC 62208, IEC 62262 and IEC 60529
- Common Enclosure for 3P/4P MCCBs
- RoHS compliant
- IP30 Protection & IK08 Protection
- Inbuilt Neutral Link for TPN systems
- Mounting Holes on the back plate
- Louvers for better heat dissipation

| Enclosure | Height (mm) | Width (mm) | Depth (mm) |
|-----------|-------------|------------|------------|
| Size I | 543 | 198 | 97 |
| Size II | 830 | 337 | 111 |



SALIENT FEATURES



Technology

- Current Limiting MCCBs: The unique speed contact system with current limiting feature accelerates the opening of contacts during short circuit, resulting in very low let-through energy
- No load line bias: Either side of MCCB terminal can be used as load or line*
- MCCB Mechanism: Quick make, quick break & trip free mechanism

Ergonomic Design & User Friendliness

- Knob designed for better grip
- Color indication of ON/TRIP/OFF*
- Current rating on the knob
- Overload adjustment from front*
- Easy ON/OFF/RESET operations



Safe to Use

- Suitable for Isolation*
- Finger proof terminals
- Phase barriers supplied along with MCCBs to enhance the clearance between the phases
- Lockable shroud on thermal knob to prevent unauthorized operation*
- CE marked range*
- Double Insulation

Accessories

- Auxiliary contacts
- Trip alarm contacts
- Combined Auxiliary + Trip alarm contacts*
- Shunt & Under Voltage release*
- Direct & Extended ROM with Padlocking
- Spreader links
- SS Enclosure
- GF module for earth fault protection
- All internal accessories are Snap fit type*



Compact & Easy to Install

- Compact size
- Common depth upto 250A
- 45mm door cutout upto 250A
- Optional DIN rail mounting available**

* For DU100D / DU125D / DU100H / DU125H / DU250C / DU250 / DU400N

** For DU100 / DU125U / DU100B / DU100D / DU125D / DU100H / DU125H

TECHNICAL SPECIFICATIONS

DU Series

| Technical Parameters | | Specifications | | |
|--|------------------------------------|--|----------|--|
| Type Designation | | DU100 | DU125U | DU100B |
| No. of Poles | | 2/3 | | 3 |
| Rated Current | I_n (A) | 16, 20, 25, 32, 40, 50, 63, 80, 100 | 125 | 16, 20, 25, 32, 40, 50, 63, 80, 100 |
| Impulse Withstand Voltage | U_{mp} (kV) AC | 6 | | |
| Rated Operational Voltage | U_e (V) AC | 415 | | |
| Rated Insulation Voltage | U_i (V) AC | 690 | | |
| Operational Frequency (Hz) | | 50 / 60 | | |
| Utilisation Category | | A | | |
| Reference Temperature | | 50°C | | |
| Operating Temperature | | -5°C to + 55°C | | |
| Standard | | IS/IEC60947-2, IEC60947-2 | | |
| I_{cu} (kA) | 240V AC | 25 | | |
| | 415V AC | 10 | | |
| | 250V DC (2P in series) L/R<15 msec | 5 | - | |
| | 250V DC (3P in series) L/R<15 msec | 10 | | |
| Rated Service S. C. Breaking Capacity (I_{cs}) | | 50% of I_{cu} | | 100% of I_{cu} |
| Single Stage Capacitor Rating at 415V, 50Hz (kVAr) | | upto 50 kVAr* (for 100A) & 65 kVAr* (for 125A) | | |
| Mechanical Life | No. of operations | 20000 | | |
| Electrical Life | No. of operations | 6000 | 1000 | 1500 |
| IP Protection (from front side) | | IP40 | | |
| Pollution Degree | | III | | |
| Type of Release | | Thermal - Magnetic | | |
| Thermal | | Fixed | | |
| Magnetic | | Fixed ($9I_n$) | | |
| Terminal Capacity (without spreaders) | | | | |
| Cables with Lug (mm ²) | | 50 | | |
| Link (mm) | | ≤17 | | |
| Overall Dimensions | | | | |
| Width (mm) | | 75 | | |
| Height (mm) | | 130 | | |
| Depth (mm) | | 60 | | |
| Weight (2/3 Pole) (kg) | | 0.56/0.68 | 0.66/0.8 | 0.68 |

* Please use Capacitor Duty Contactors with MCCB for Capacitor Applications. Capacitor ratings mentioned are with MO C only.

TECHNICAL SPECIFICATIONS

DU Series

| Technical Parameters | | Specification | | | | |
|--|------------------------------------|--|--------------------------------------|---------------|------------|----------------|
| Type Designation | | DU100D/DU125D | DU100H/DU125H | DU250C | DU250 | DU400N |
| No. of Poles | | 3/4 | 2/3/4 | 3/4 | 2/3/4 | 2/3/4 |
| Rated Current | I_n (A) | 20, 25, 32, 40, 50, 63, 80, 100, 125 | 20, 25, 32, 40, 50, 63, 80, 100, 125 | 160, 200, 250 | | 320, 400 |
| Impulse Withstand Voltage | U_{imp} (kV) AC | 8 | | | | 8 |
| Rated Operational Voltage | U_e (V) AC | 415 | | | | 690 |
| Rated Insulation Voltage | U_i (V) AC | 800 | | | | 800 |
| Operational Frequency (Hz) | | 50 / 60 | | | | |
| Utilisation Category | | A | | | | |
| Reference Temperature | | 40°C | | | | |
| Operating Temperature | | -5°C to + 55°C | | | | |
| Standard | | IS/IEC60947-2, IEC60947-2 & EN60947-2 | | | | |
| I_{cu} (kA) | 240V AC | 32 | 65 | 65 | 65 | 65 |
| | 415V AC | 18 | 30 | 25 | 36 | 50 |
| | 250V DC (2P in series) L/R<15 msec | - | 15 | - | 15 | 25 |
| | 250V DC (3P in series) L/R<15 msec | 15 | 20 | 15 | 20 | 30 |
| | 500V DC (3P in series) L/R<15 msec | 10 | 15** | 10 | 15** | 20*** |
| Rated Service S. C. Breaking Capacity (I_{cs}) | | 100% of I_{cu} | 50% of I_{cu} | | | |
| Single Stage Capacitor Rating at 415V, 50Hz (kVAR) | | upto 50 kVAR* (for 100A) & 65 kVAR* (for 125A) | | upto 95 kVAR* | | upto 150 kVAR* |
| Mechanical Life | No. of operations | 40000 | | 15000 | | 10000 |
| Electrical Life | No. of operations | 8000 [§] | | 3000 | | 4000 |
| IP Protection (from front side) | | IP40 | | | | |
| Pollution Degree | | III | | | | |
| Type of Release | | Thermal - Magnetic | | | | |
| Thermal | | Variable (0.8 - 1.0 I_n) | | | | |
| Magnetic | | Fixed (9 I_n) | | | | |
| Terminal Capacity (without spreaders) | | | | | | |
| Cables with Lug (mm ²) | | 35 | | 120 | | 185 |
| Link (mm) | | ≤17 | | ≤26 | | ≤32 |
| Overall Dimensions | | | | | | |
| Width (mm) | | 75/100 | 75/75/100 | 105/140 | | 140/184 |
| Height (mm) | | 130 | | 165 | | 205 |
| Depth (mm) | | 60 | | 60 | | 110.5 |
| Weight (2/3/4 Pole) (kg) | | 0.85/1.1 | 0.6/0.85/1.1 | 1.55/2 | 1.3/1.55/2 | 4/5 |

* Please use Capacitor Duty Contactors with MCCB for Capacitor Applications. Capacitor ratings mentioned are with MO C only.

** 10 kA at 500V d.c. (2P in series) L/R<15 msec

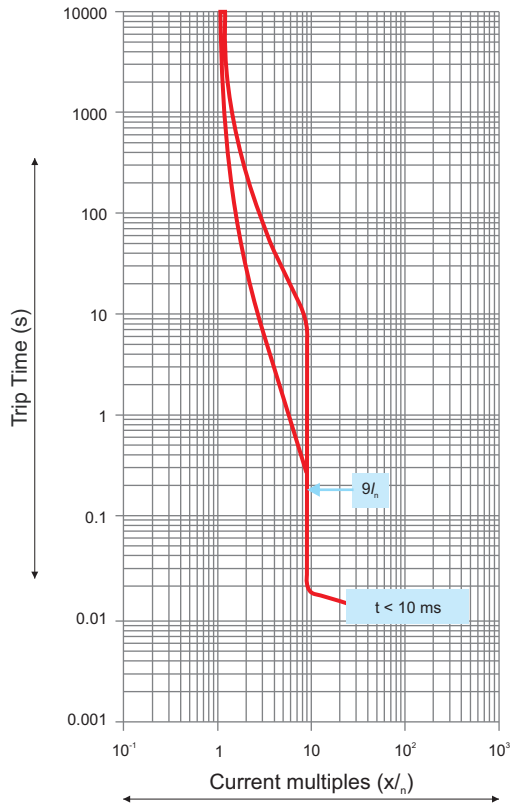
*** 15kA at 500V d.c. (2P in series) L/R<15 msec

§ 4000 for DU125D/DU125H

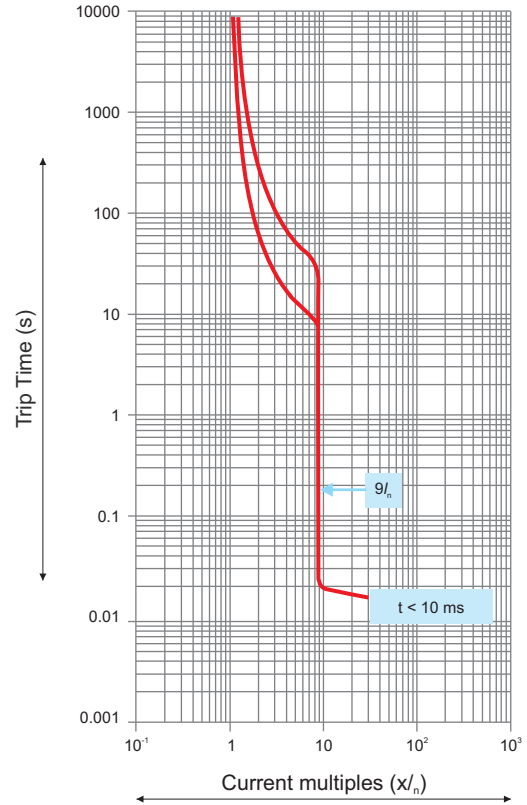
Note : 2P MCCBs are available upto 100A in DU100H

I-T CHARACTERISTIC CURVES

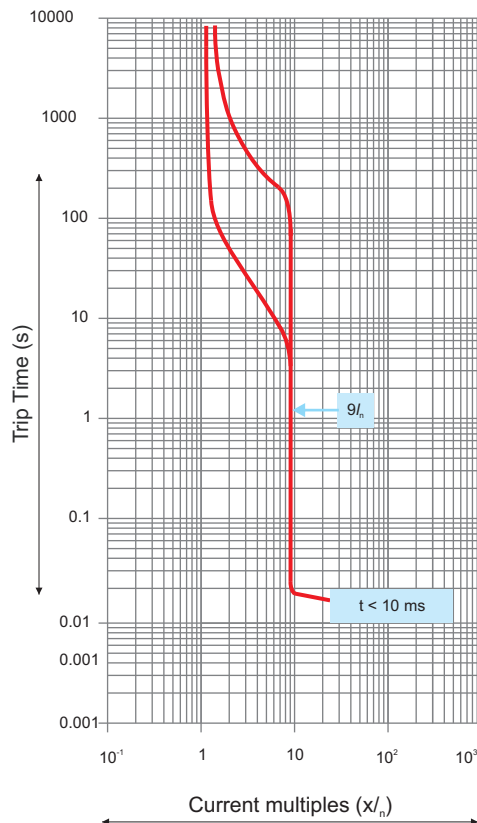
DU100 / DU125U / DU100B /
DU100D / DU125D / DU100H / DU125H



DU250C / DU250



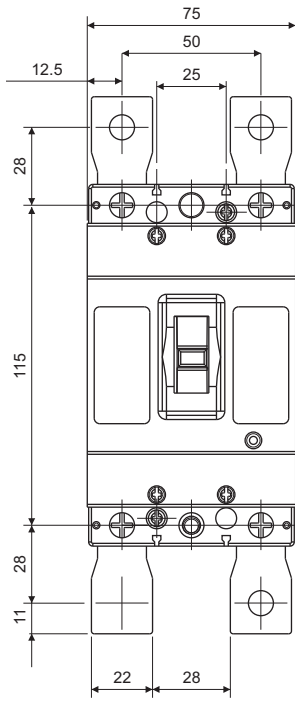
DU400N



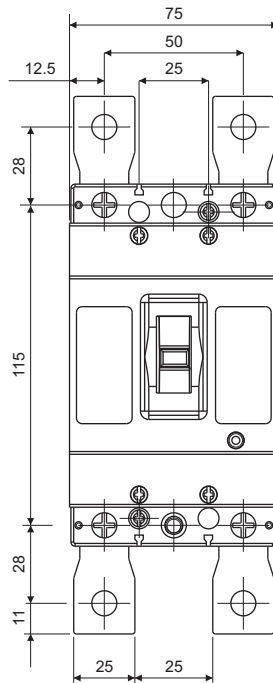
DIMENSIONS

DU100 / DU125U / DU100B

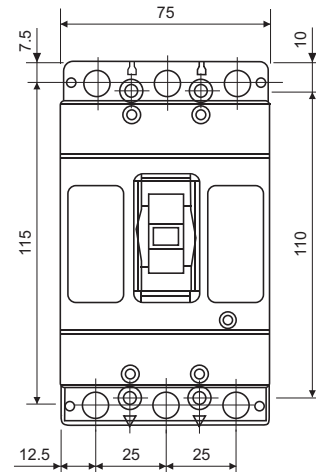
DU100 2-Pole



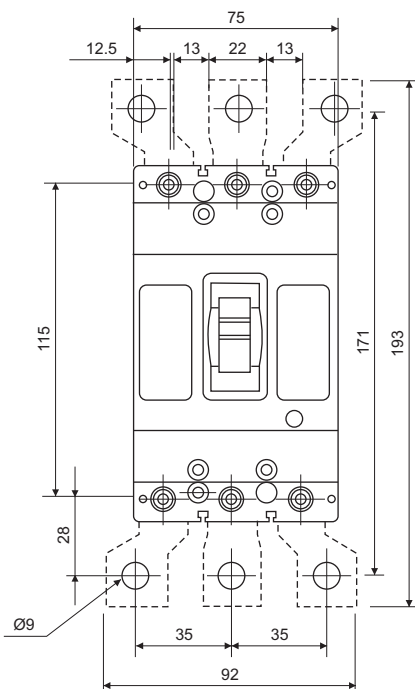
DU125U 2-Pole



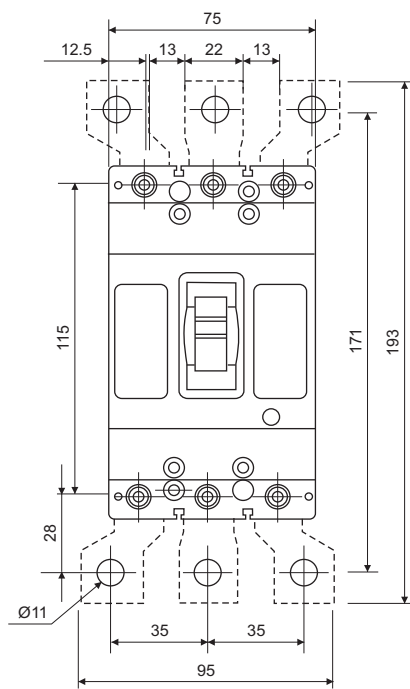
3-Pole



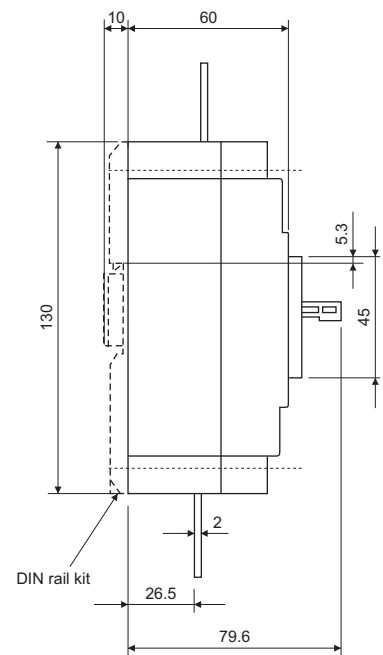
DU100/DU100B
3-Pole with Spreaders



DU125U
3-Pole with Spreaders



2-Pole, 3-Pole



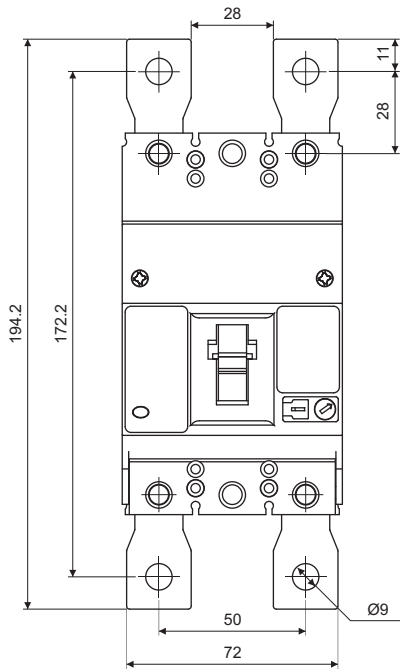
Link width (without spreader) : $\leq 17\text{mm}$
Link width (with spreader) : 22mm

Note: Spreader links are available as spare.
It is recommended to use spreader links for enhancing termination capacity.

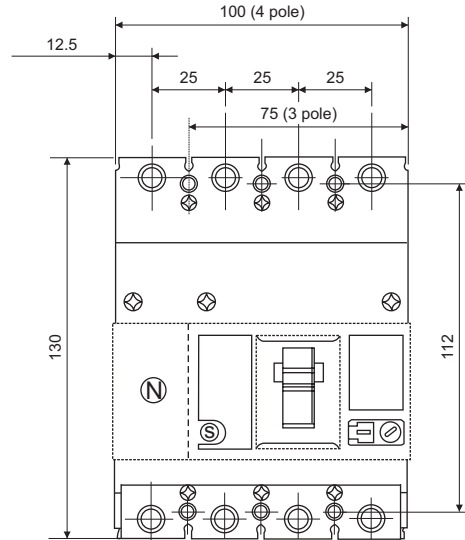
DIMENSIONS

DU100D / DU125D / DU100H / DU125H

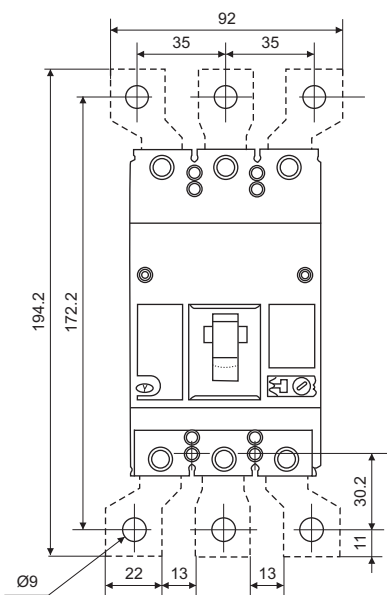
2-Pole



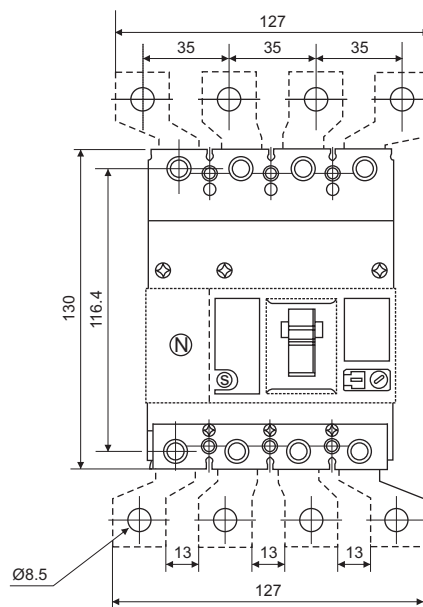
3-Pole, 4-Pole



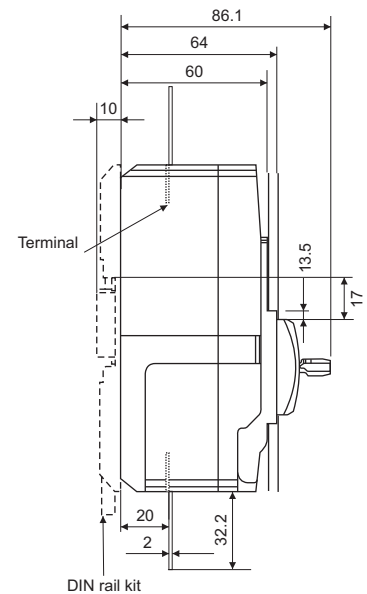
3-Pole
with Spreaders



4-Pole
with Spreaders



2-Pole, 3-Pole, 4-Pole



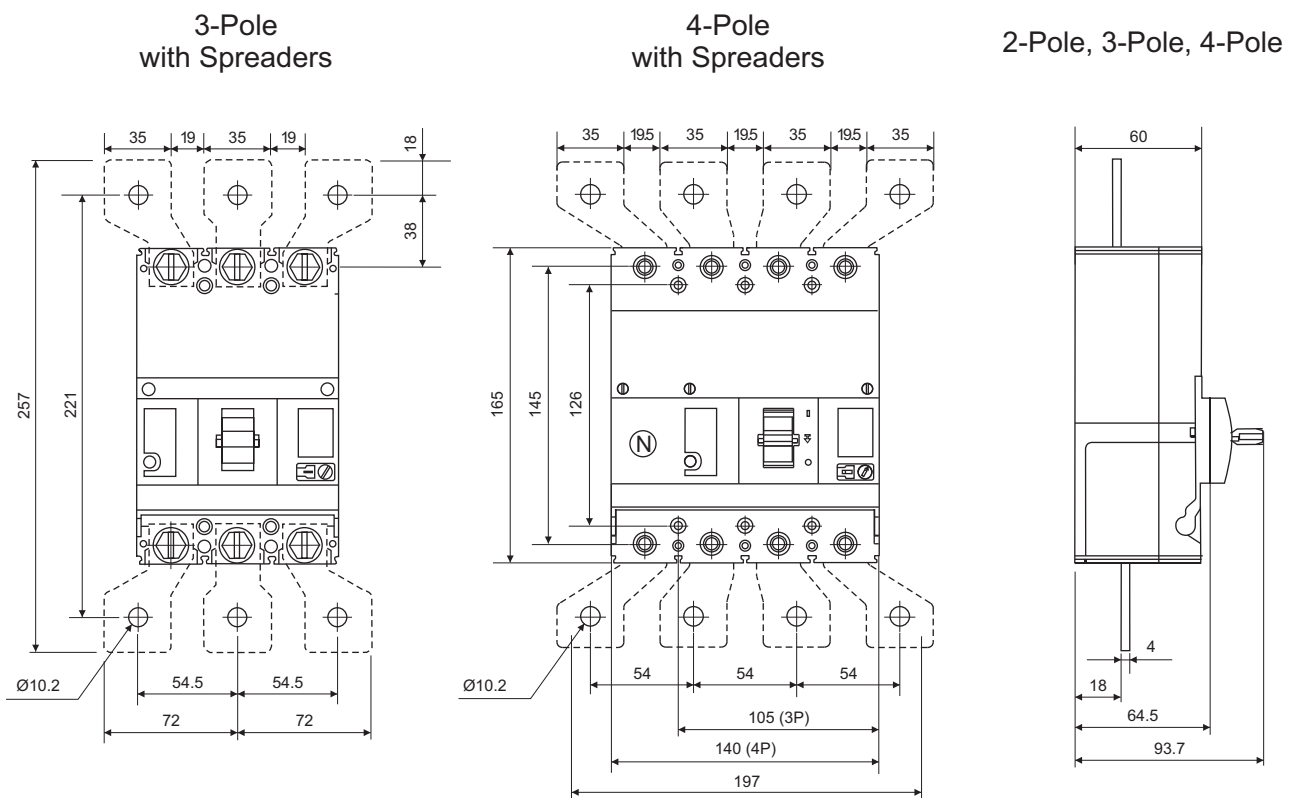
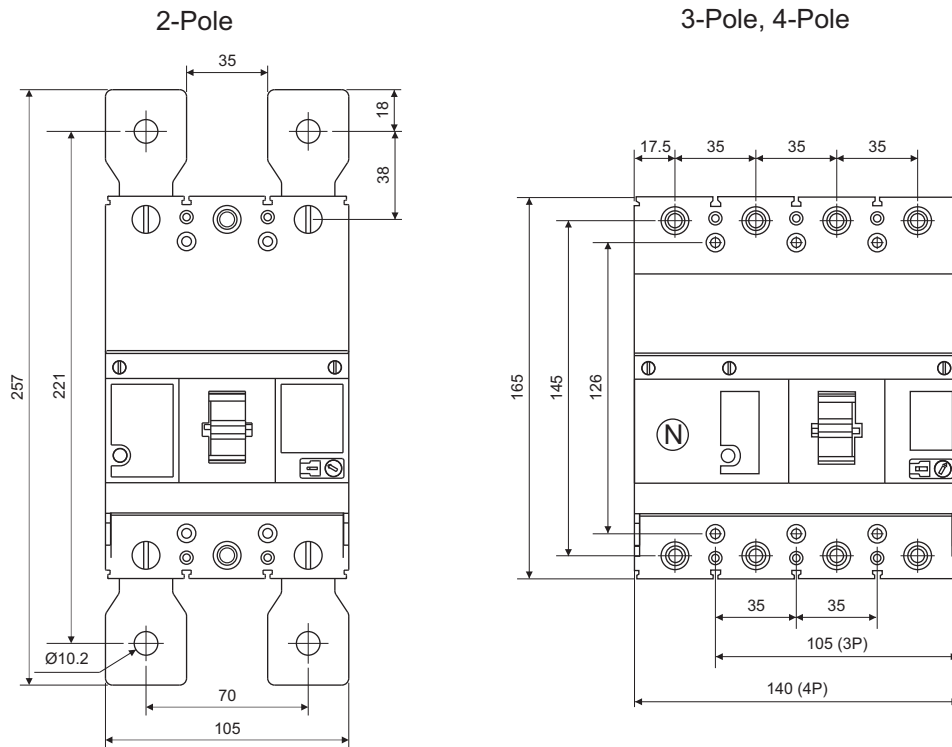
Link width (without spreader) : $\leq 17\text{mm}$
 Link width (with spreader) : 22mm

Note: Spreader links are available as spare.

It is recommended to use spreader links for enhancing termination capacity.
 Please use 125A MCCB with its recommended Spreader only.

DIMENSIONS

DU250C / DU250

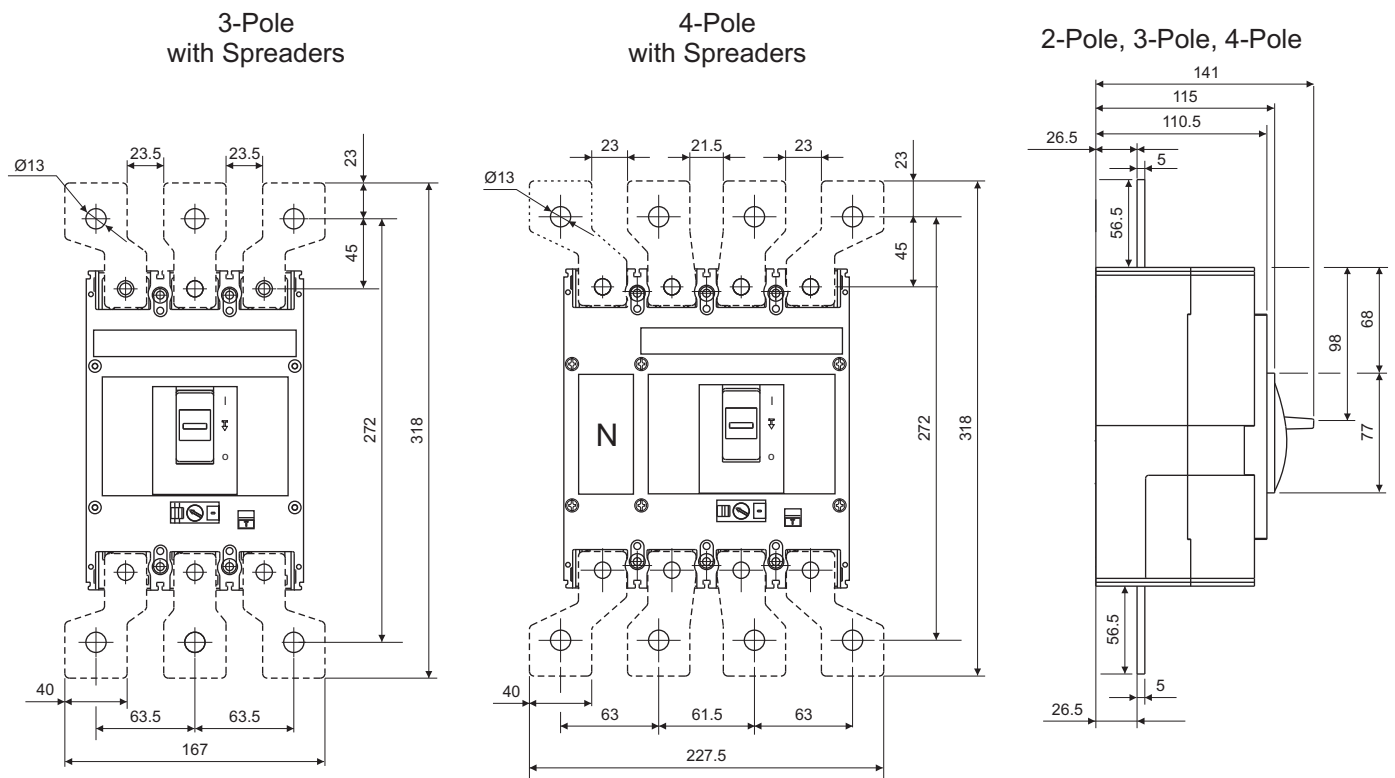
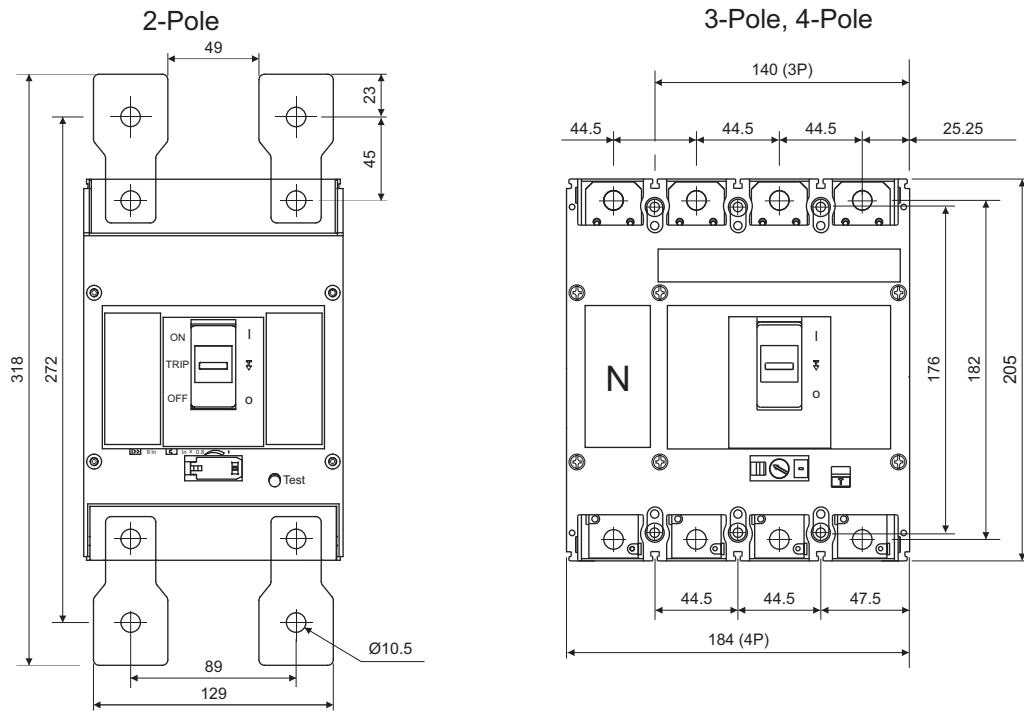


Link width (without spreader) : ≤ 26 mm
 Link width (with spreader) : 35 mm

Note: Spreader links are available as spare. It is recommended to use spreader links for enhancing termination capacity.

DIMENSIONS

DU400N

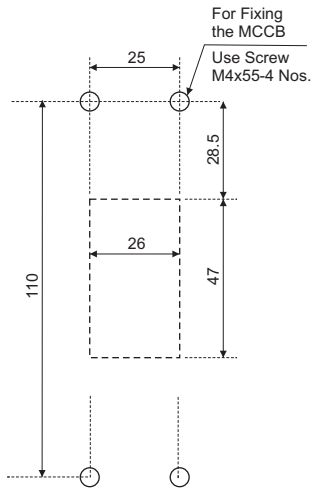


Link width (without spreader) : ≤ 32 mm
 Link width (with spreader) : 40 mm

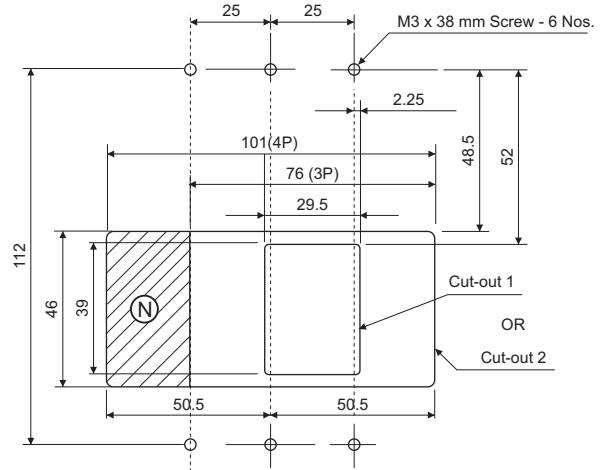
Note: Spreaders are available as spare. It is recommended to use spreader links for enhancing termination capacity.

PANEL CUT-OUT DIMENSIONS

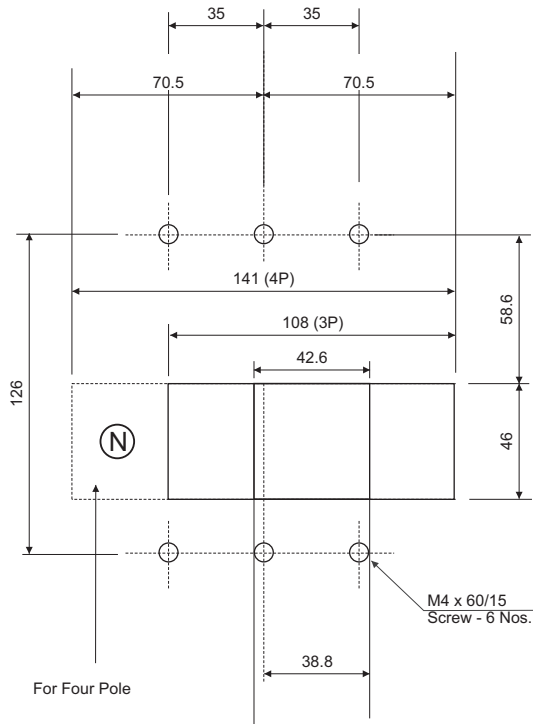
DU100 / DU125U / DU100B



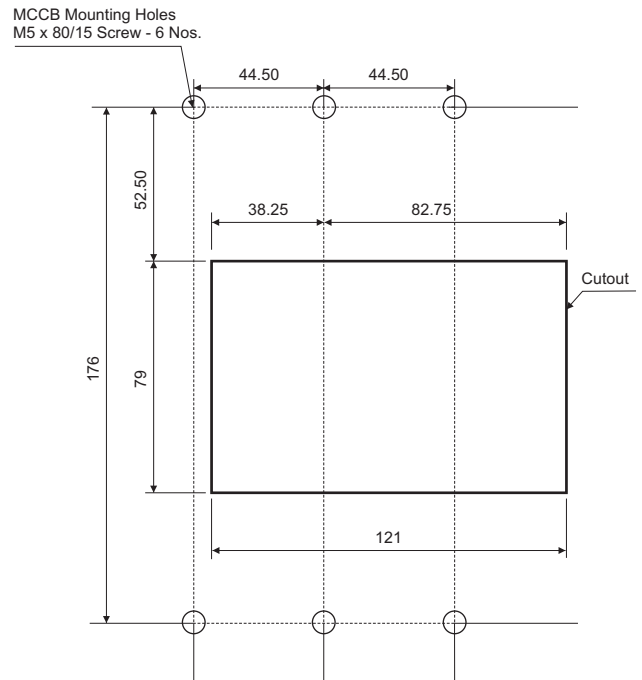
DU100D / DU125D / DU100H / DU125H



DU250C / DU250

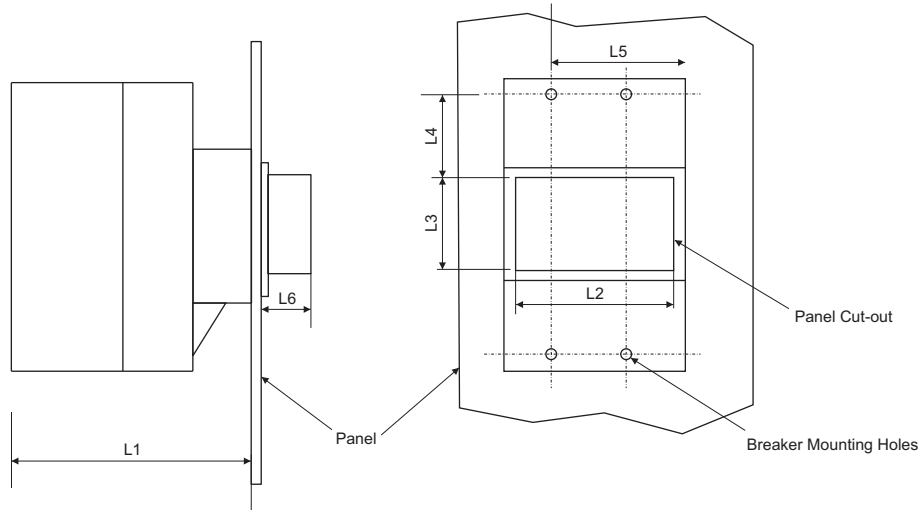


DU400N



ROM MOUNTING DIMENSIONS

Direct ROM (DU100D / DU125D / DU100H / DU125H / DU250C / DU250 / DU400N)

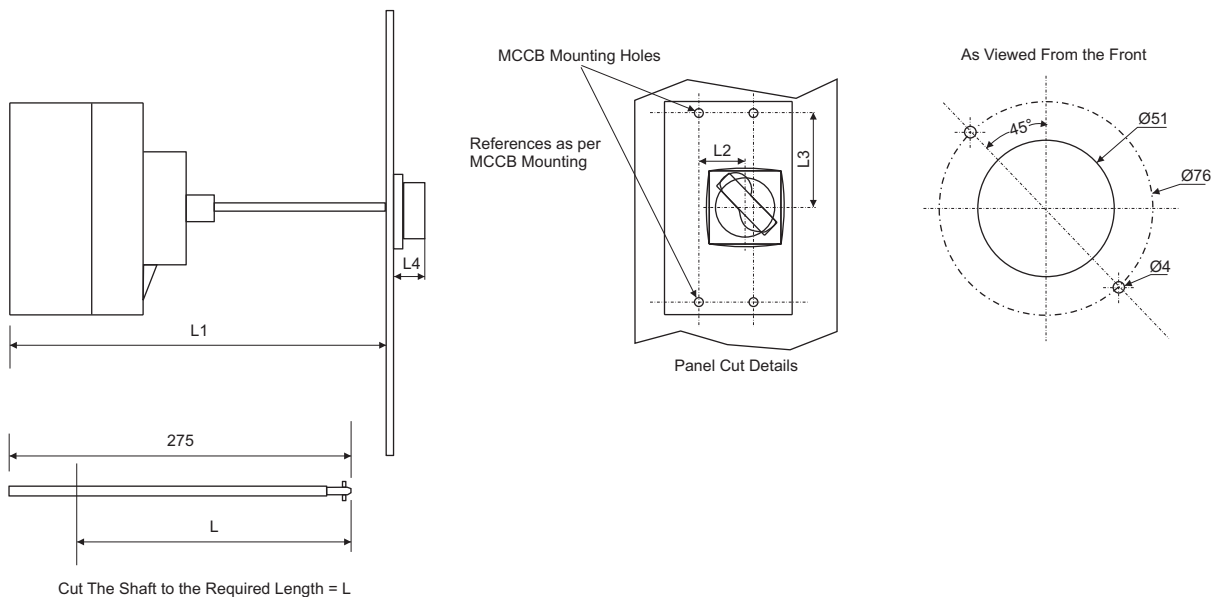


| Type | L1 | L2 | L3 | L4 | L5 | L6 |
|-----------------------------|------|-----|----|------|----|----|
| DU100D/DU125D/DU100H/DU125H | 96.5 | 58 | 52 | 43.5 | 37 | 85 |
| DU250C/DU250 | 96.5 | 73 | 52 | 56.5 | 54 | 77 |
| DU400N | 145 | 121 | 87 | 41 | 82 | 95 |

L1 = Mounting Depth
 L2/L3 = Panel Cut-out
 L4/L5 = Breaker Mounting Reference
 L6 = Depth outside the panel

Note : For DU100/DU125U/DU100B Direct ROM dimensions please refer product insert

Extended ROM (DU100D / DU125D / DU100H / DU125H / DU250C / DU250 / DU400)

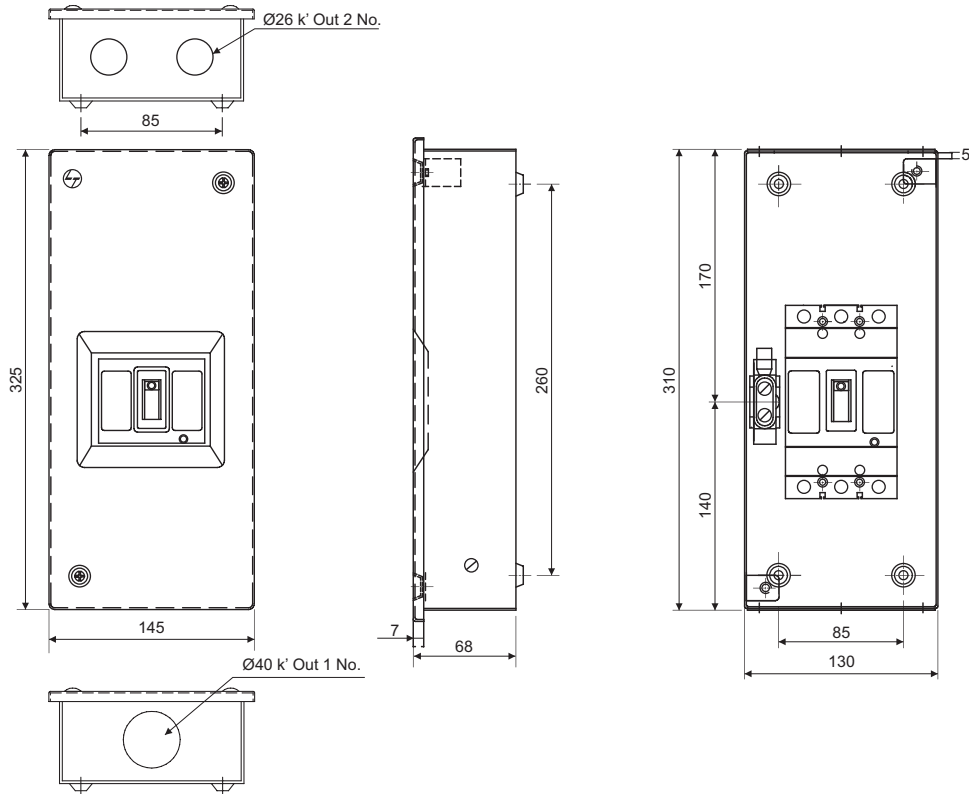


| Type | L1 | L | L2 | L3 |
|-----------------------------|-----|--------|------|------|
| DU100 | 157 | L1-107 | 7 | 51 |
| DU100D/DU125D/DU100H/DU125H | 169 | L1-119 | 7.5 | 69.5 |
| DU250C/DU250 | 169 | L1-119 | 24.5 | 81.7 |
| DU400N | 233 | L1-183 | 39 | 93 |

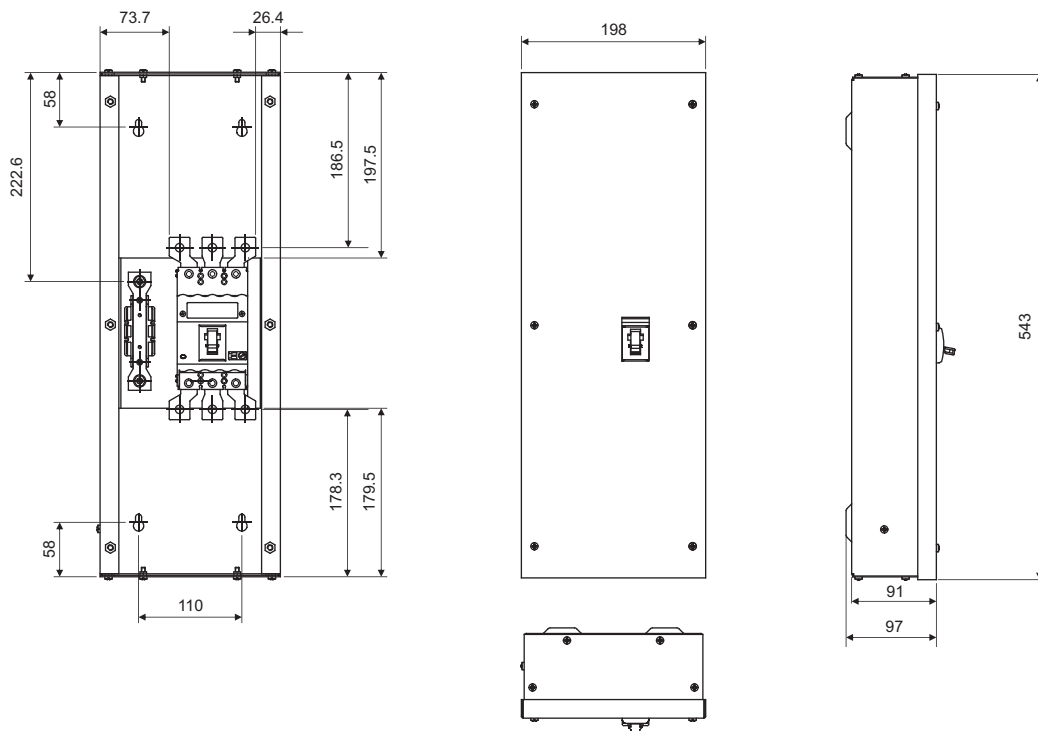
L = Length of Shaft required for
 Panel Depth L1 (mm)
 L1 = Min. Panel depth (mm)
 L4 = Depth outside the panel

SS ENCLOSURE MOUNTING DIMENSIONS

DU100 / DU125U / DU100B

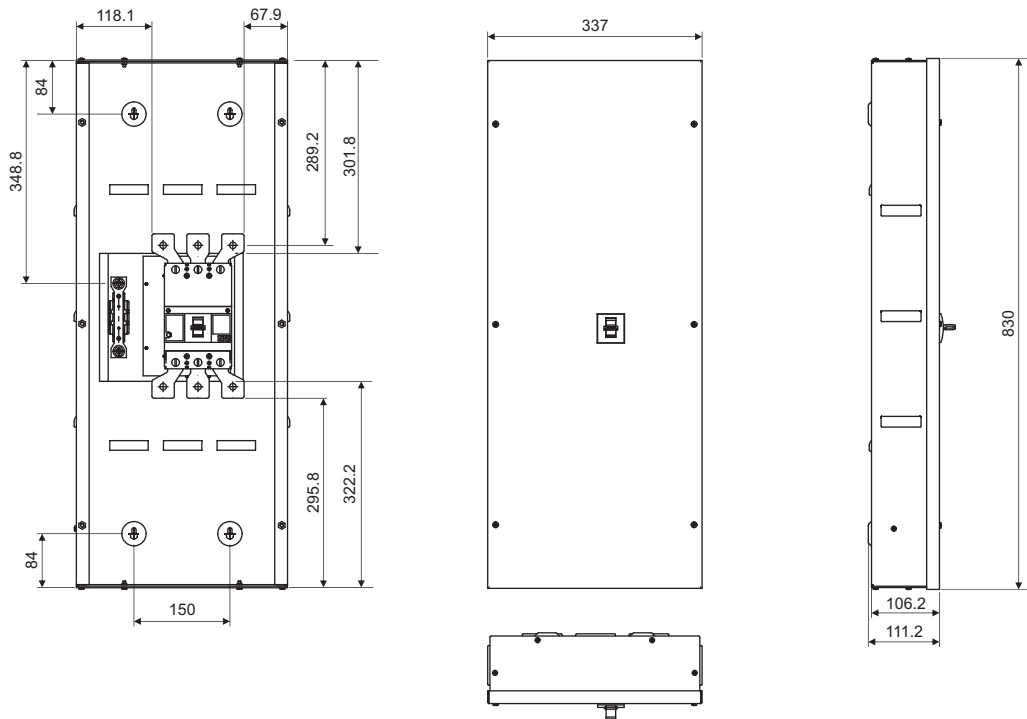


Size I Enclosure for DU100D/DU125D/DU100H/DU125H



SS ENCLOSURE MOUNTING DIMENSIONS

Size II Enclosure for DU250/DU250C



MCCB Enclosures

- Enclosures with superior aesthetics
- Common Enclosure for 3 & 4 pole
- In-Built Neutral Link for TPN system
- Generous space for cable termination
- Effortless installation



Lavish home for your MCCB



GROUND FAULT MODULE

Ground Fault Modules are of Types GF1, GF2 and GF11. These modules are to be used with MCCBs for ground fault protection. The principle of operation is based on detection of the residual current in the system. They combine safety and versatility, conforming to the high performance standards, the characteristic of all L&T products.



Ground Fault Module GF1
GF1 is suitable upto 200A MCCBs



Ground Fault Module GF2
GF2 is suitable upto
250A to 400A MCCBs



Ground Fault Module GF11
GF11 is suitable upto 800A MCCBs

Features

- Compact in size
- Solid state design
- Built-in moulded CBCT for GF1 & GF2. External CTs are to be used for GF11
- Suitable for both 3 Phase 3 wire & 3 Phase 4 wire systems. In case of 3 phase 4 wire system, the natural cable/twisted link should also be passed through the CBCT along with the 3 Phase links / cables
- Built-in test facility
- Selection facility for nominal current rating (I_n)
- Earth fault setting is adjustable from 10% to 50% of set current
- Selectable trip times (100ms, 200ms)
- Manual reset for positive fault acknowledgment
- Potential free NO contact to trip MCCB (through 240V shunt release)
- Window dimensions suitable for Cable / Link connection in GF1 and GF2

Note: MCCBs need to be fitted with 110V / 240V as shunt release for Ground Fault Module operation.

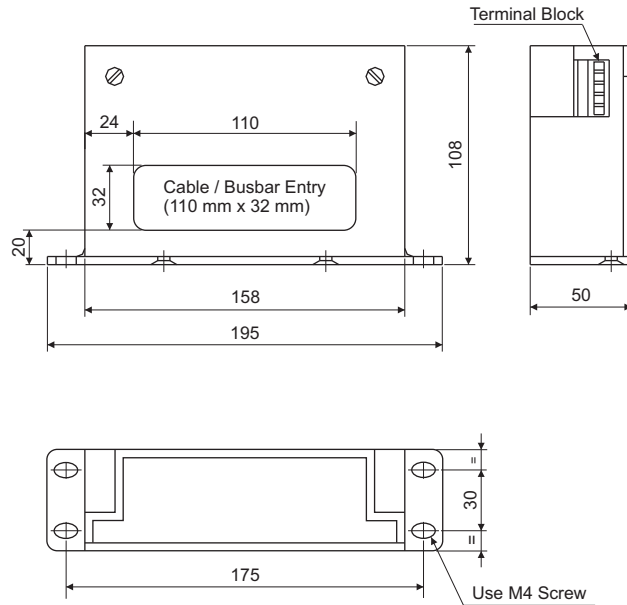
Technical Data

| Specification | Type GF1 / GF2 / GF11 |
|--|--|
| Current Setting Range, I_s ($I_s = x I_n$) | 10% to 50% I_n in step of 10% |
| Auxiliary Supply | 240V AC $\pm 20\%$ |
| Time Delay (ms) | 100 / 200ms Field selectable |
| Pick-up Accuracy | $\pm 10\% I_s$ |
| Output Contact | 1 NO contact manual reset type contact rating 5A 240V AC |
| Indication | a) Power on LED b) Trip LED (manual reset) |
| Operating Temperature | +10°C to +55°C |
| Insulation | 2kV 50Hz for one minute across independent circuit 1kV 50Hz for one minute across open contacts |
| Mounting | Baseplate mounting type |
| Window for Cable / Busbar Entry (mm ²) | GF1 - 110 x 32 GF2 - 165 x 61.5 |
| Weight (kg) | GF1 - 1.2, GF2 - 2.2, GF11 - 0.9 |

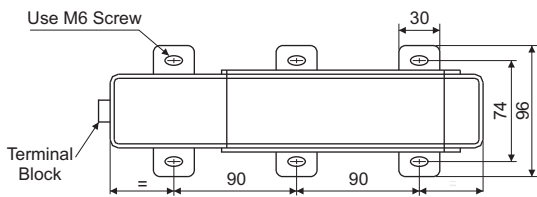
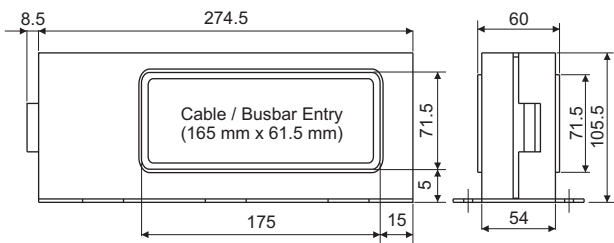
Note : Please check GF module window size & MCCB busbar width with spreaders / without spreaders before selection of GF Module. Please contact nearest branch office for further information.

GROUND FAULT MODULE: OVERALL DIMENSIONS

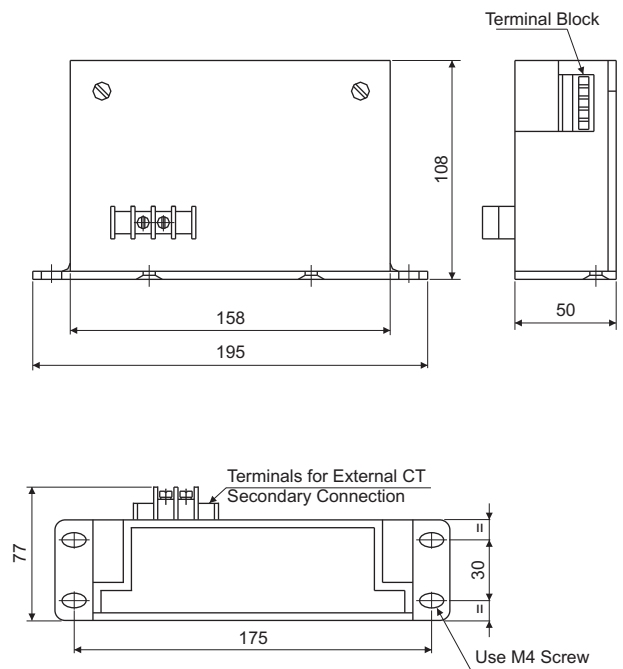
GF1



GF2



GF11



Get the Switchgear Training Edge!

Aimed at maximizing productivity, conserving energy, minimizing costs and enhancing safety, our Electrical & Automation training programmes have benefitted over 1.35 Lakh professionals in the last 28 years. These training programmes are highly beneficial as they provide right exposure and impart knowledge on selection, installation, maintenance and testing of Electrical & Automation Products.

So gain the advantage and go the extra mile with:

- 22 courses on contemporary topics
- Courses applicable to all switchgear brands
- Training Centers in Pune, Lucknow, Coonoor, Vadodara, Delhi & Kolkata
- Blend of theory and practical experience

The typical training programmes cover:

- Low Voltage & Medium Voltage Switchgear
- Switchboard Electrical Design
- AC Drives & Building Management Solutions
- Protective Relays & Earthing
- Power Quality Solutions

Please contact any of the training centres for participation and detailed training programme schedule.



Pune

Larsen & Toubro Limited
Switchgear Training Centre,
T-156/157, MIDC
Bhosari, Pune - 411 026
Tel: 020 2712 0037 / 2712 0653
Fax: 020 2712 2933
E-mail: stc-pune@Lntebg.com



Lucknow

Larsen & Toubro Limited
Switchgear Training Centre,
C - 6 & 7, UPSIDC
P. O. Sarojinagar, Lucknow - 226 008
Tel: 0522 247 6015 / 97944 54455
Fax: 0522 247 6015
E-mail: stc-lucknow@Lntebg.com



Coonoor

Larsen & Toubro Limited
Switchgear Training Centre,
Ooty-Coonoor Main Road
Yellanahalli P.O., The Nilgiris - 643 243
Tel. : 0423 251 7107
Fax : 0423 251 7158
E-mail: stc-coonoor@Lntebg.com



Vadodara

Larsen & Toubro Limited
Switchgear Training Centre
Behind L&T Knowledge City,
Near Village Ankhola,
Vadodara - 390019
Tel: 0265 2457805
E-mail: stc-vadodara@Lntebg.com



Delhi

Larsen & Toubro Ltd
Switchgear Training Centre
32, Shivaji Marg,
Near Motinagar Metro Station,
New Delhi - 110015
Tel: 011 41419515 / 41419695 / 41419500
Fax: 011 41419600
E-mail: stc-delhi@Lntebg.com



Kolkata

Larsen & Toubro Limited
Switchgear Training Centre
4th Floor, 3B, Shakespeare Sarani,
Kolkata - 700071
Tel: 033 42005975 / 42005978
E-mail: stc-kolkata@Lntebg.com

Electrical Standard Products (ESP) Offices:

HEAD OFFICE

L&T Business Park,
Tower 'B' / 3rd Floor
Saki Vihar Road, Powai
Mumbai 400 072
Tel: 022-67053229
Fax: 022-67051112
e-mail: cic@LNTEBG.com

BRANCH OFFICES

501, Sakar Complex I
Opp. Gandhigram Rly. Station
Ashram Road
Ahmedabad 380 009
Tel: 079-66304006-11
Fax: 079-66304025
e-mail: esp-ahm@LNTEBG.com

38, Cubbon Road, P. O. Box 5098
Bengaluru 560 001
Tel: 080-25020100 / 25020324
Fax: 080-25580525
e-mail: esp-blr@LNTEBG.com

131/1, Zone II
Maharana Pratap Nagar
Bhopal 462 011
Tel: 0755-3080511 / 05 / 08 / 13 / 17 / 19
Fax: 0755-3080502
e-mail: esp-bho@LNTEBG.com

Plot No. 559, Annapurna Complex
Lewis Road
Bhubaneswar 751 014
Tel: 0674-6451342 / 2436690 / 2436696
Fax: 0674-2537309
e-mail: esp-bsr@LNTEBG.com

Aspire Towers, 4th Floor
Plot No. 55, Phase-I
Industrial & Business Park
Chandigarh-160 002
Tel: 0172-4646840 / 41 / 42 / 46 / 53
Fax: 0172-4646802
Email: esp-chd@Lntebg.com

L&T Construction Campus
TC-1 Building, II Floor
Mount-Poonamallee Road
Manapakkam
Chennai 600 089
Tel: 044-2270 6800
Fax: 044-22706940
e-mail: esp-maa1@LNTEBG.com

67, Appuswamy Road
Post Bag 7156
Opp. Nirmala College
Coimbatore 641 045
Tel: 0422-2588120 / 1 / 5
Fax: 0422-2588148
e-mail: esp-cbe@LNTEBG.com

Khairasol, Degaul Avenue
Durgapur 713 212
Tel: 0343-2540448 / 2540449 / 2540443
Fax: 0343-2540442
e-mail: esp-dgp@LNTEBG.com

5, Milanpur Road, Bamuni Maidan
Guwahati 781 021
Tel: +91 8876554410 / 8876554417
Fax: 361-2551308
e-mail: esp-ghy@LNTEBG.com

II Floor, Vasantha Chambers
5-10-173, Fateh Maidan Road
Hyderabad 500 004
Tel: 040-67015052
Fax: 040-23296468
e-mail: esp-hyd@LNTEBG.com

Monarch Building, 1st Floor
D-236 & 237, Amrapali Marg
Vaishali Nagar
Jaipur 302 021
Tel: 0141-4385914 to 18
Fax: 0141-4385925
e-mail: esp-jai@LNTEBG.com

Akashdeep Plaza, 2nd Floor
P. O. Golmuri
Jamshedpur 831 003
Jharkhand
Tel: 0657-2312205 / 38
Fax: 0657-2341250
e-mail: esp-jam@LNTEBG.com

Skybright Bldg; M. G. Road
Ravipuram Junction, Emakulam
Kochi 682 016
Tel: 0484-4409420 / 4 / 5 / 7
Fax: 0484-4409426
e-mail: esp-cok@LNTEBG.com

3-B, Shakespeare Sarani
Kolkata 700 071
Tel: 033-42005982
Fax: 033-22821025 / 7587
e-mail: esp-ccu@LNTEBG.com

A28, Indira Nagar, Faizabad Road
Lucknow 226 016
Tel: 0522-4929905 / 04
Fax: 0522-2311671
e-mail: esp-Lko@LNTEBG.com

No: 73, Karpaga Nagar, 8th Street
K. Pudur
Madurai 625 007
Tel: 0452-2567405 / 2561068 / 2561657
Fax: 0452-2567552
e-mail: esp-mdu@LNTEBG.com

L&T Business Park,
Tower 'B' / 5th Floor
Saki Vihar Road, Powai
Mumbai 400 072
Tel: 022-67052874 / 2737 / 1156
Fax: 022-67051112
e-mail: esp-bom@LNTEBG.com

12, Shivaji Nagar
North Ambajhari Road
Nagpur 440 010
Tel: 0712-2260012 / 6606421
Fax: 2260030 / 6606434
e-mail: esp-nag@LNTEBG.com

32, Shivaji Marg
P. O. Box 6223
New Delhi 110 015
Tel: 011-41419514 / 5 / 6
Fax: 011-41419600
e-mail: esp-del@LNTEBG.com

L&T House
P. O. Box 119
191/1, Dhole Patil Road
Pune 411 001
Tel: 020-66033395 / 66033279
Fax: 020-26164048 / 26164910
e-mail: esp-pnq@LNTEBG.com

Crystal Tower,
4th Floor, G. E. Road
Telibandha
Raipur - 492 006
Tel: 0771-4283214
e-mail: esp-raipur@LNTEBG.com

3rd Floor
Vishwakarma Chambers
Majura Gate, Ring Road
Surat 395 002
Tel: 0261-2473726
Fax: 0261-2477078
e-mail: esp-sur@LNTEBG.com

Radhadaya Complex
Old Padra Road
Near Charotar Society
Vadodara 390 007
Tel: 0265-6613610 / 1 / 2
Fax: 0265-2336184
e-mail: esp-bar@LNTEBG.com

Door No. 49-38-14/3/2, 1st floor,
NGGO's Colony, Akkayyapalem,
Visakhapatnam - 530 016
Tel: 0891-2791126 / 2711125
Fax: 0891-2791100
Email: esp-viz@LNTEBG.com

Product improvement is a continuous process. For the latest information and special applications, please contact any of our offices listed here.



Larsen & Toubro Limited, Electrical Standard Products

Powai Campus, Mumbai 400 072

Customer Interaction Center (CIC)

BSNL / MTNL (toll free) : 1800 233 5858 Reliance (toll free) : 1800 200 5858

Tel : 022 6774 5858, Fax : 022 6774 5859

E-mail : cic@Lntebg.com / Website www.Lntebg.com

Registered Office: L&T House, N. M. Marg, Ballard Estate, Mumbai 400 001, INDIA **CIN:** L99999MH1946PLC004768