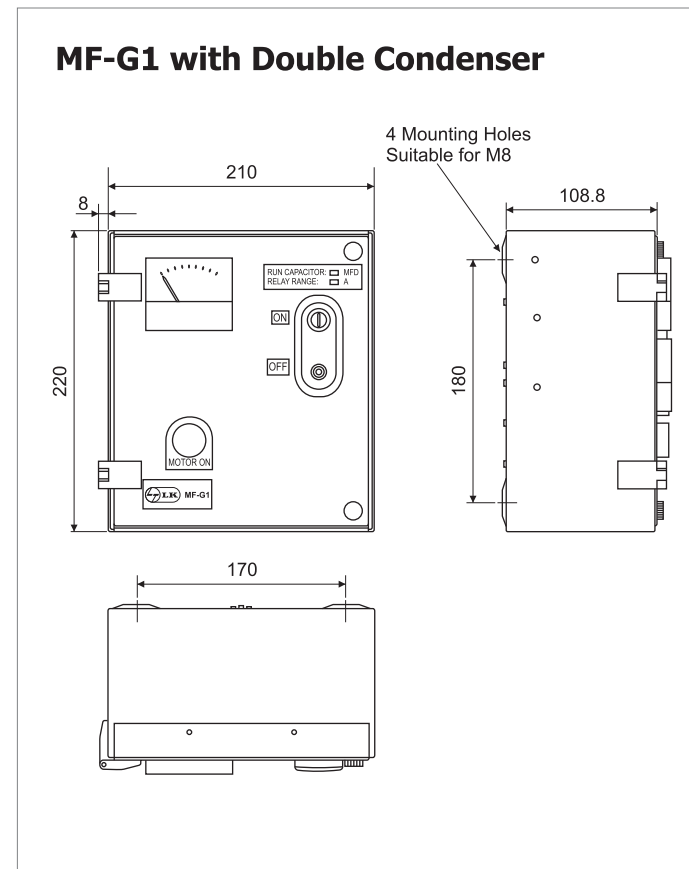
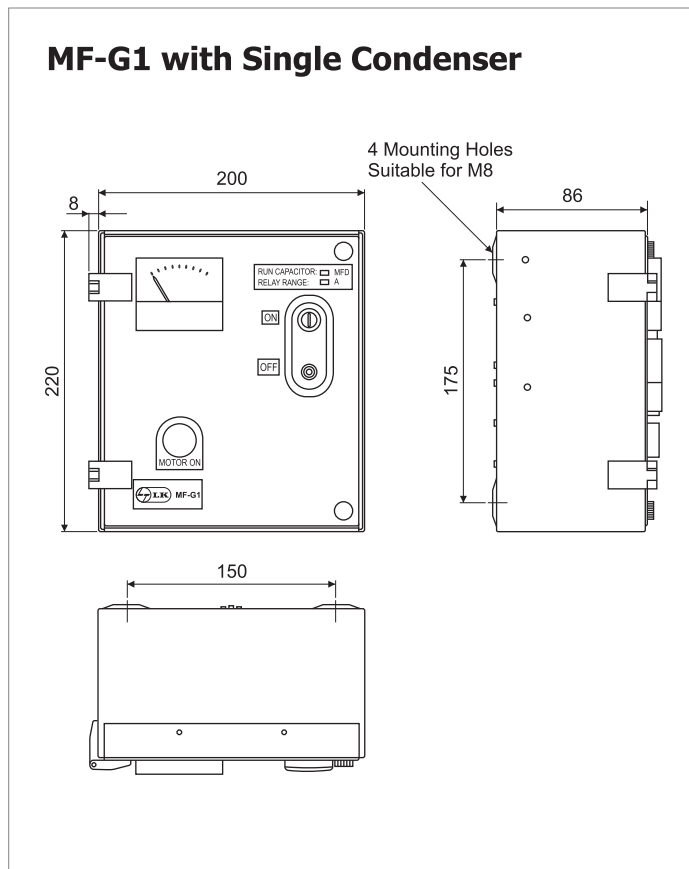
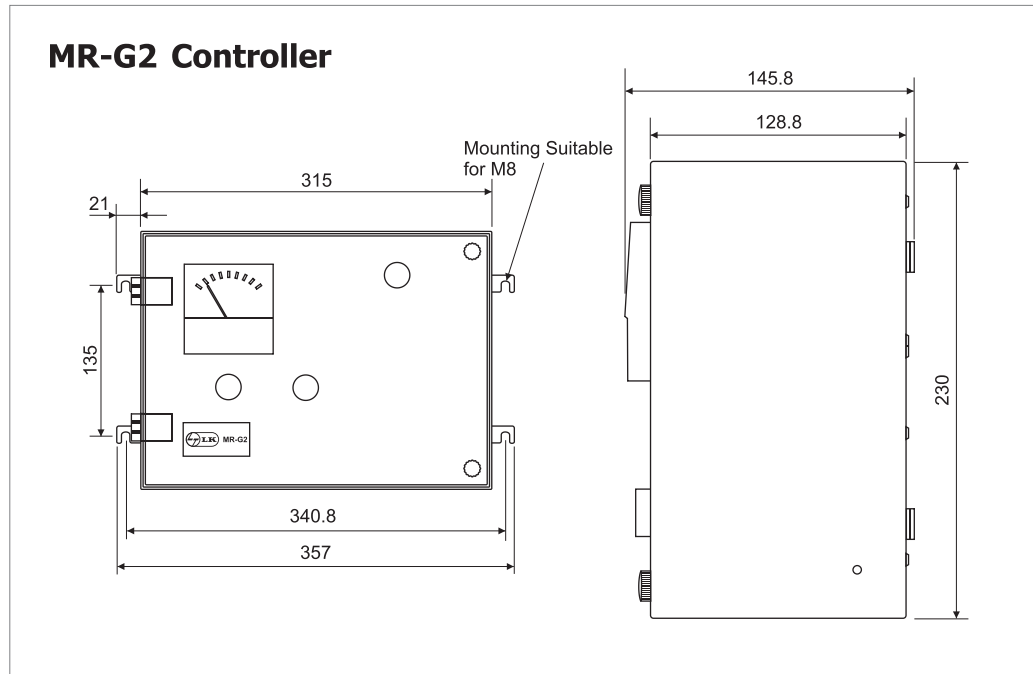




Overall Dimensions



Note: All dimensions are in mm.

Product improvement is a continuous process. For the latest information and special applications, please contact our nearest branch office.



Larsen & Toubro Limited
 Electrical Standard Products
 Powai Campus, Mumbai 400 072
Customer Interaction Center (CIC)
 BSNL / MTNL (toll free) : 1800 233 5858
 Reliance (toll free) : 1800 200 5858
 Tel : 022 6774 5858, Fax : 022 6774 5859
 E-mail : cic@LNTEBG.com
 Website : www.LNTEBG.com



SP 50439



MR-G2 & MF-G1

Single - Phase Submersible Pump Controllers



MR-G2 Single - Phase Submersible Pump Controller With Contactor & Relay



Larsen & Toubro Limited - India's largest manufacturer of low voltage switchgear offers a wide range of Submersible Pump Controllers. These Pump Controllers conform to the highest quality and performance standards.

Features

- Starts, Stops & Protects your single - phase submersible pump
- Rugged MR11W contactor with wide voltage band (140 V to 264 V)
- Fitted with MK1 relay for reliable overload protection
- With heavy duty START & RUN condensers
- Controller is fitted with ammeter on the door to monitor motor current
- Suitable for low voltage condition

Application

- Reliable protection for single phase submersible pumps
- Upto 3 HP in domestic & agricultural purpose
- Suitable for water cooled submersible pumps

Technical Details

Rating	upto 3 HP max, 230 V, 1Ø
Contactor	MR11W
Coil Voltage	230 V
Overload Relay	MK1
Range	4-6.5 A, 6-10 A, 9-14 A, 11-18 A, 13-22 A
Pick-up Voltage	≥ 60% Uc
Drop-off Voltage	≤ 35% Uc
Indicating Lamps	Motor ON
Rated Insulation Voltage	690 V
Rated Operational Voltage	230 V AC
Service Temperature	-5°C to + 55°C
Conformity to Standard	IS/IEC 60947-4-1
Terminal Capacity	2 x 6 sq. mm
Degree of Protection	IP54
No. of full Start	30 per Hour
Back-up Protection	Type 2 with HF fuses

Ordering Details

Type	Suitable for Pump / Motor HP	Cat. No. with Voltmeter & Ammeter	Cat. No. with & Ammeter	With Relay Range (A)	Start Capacitor 275 V, 50 HZ (MFD)	Run Capacitor 440 V, 50 HZ (MFD)	Recommended Fuse	Std. Pkg. (Nos.)
MR-G2	0.5 HP	SS97720BATC	SS96988BATC	4 - 6.5	80 / 100	1 x 25	25 A	1
		SS97720BAVC	SS96988BAVC	6 - 10	80 / 100	1 x 25	25 A	1
	1.0 HP	SS97721BBVE	SS96560BBVE	6 - 10	100 / 120	1 x 36	25 A	1
		SS97721BBVG	SS96560BBVG	6 - 10	100 / 120	1 x 50	25 A	1
		SS97721BCVE	SS96560BCVE	6 - 10	120 / 150	1 x 36	25 A	1
		SS97721BCVG	SS96560BCVG	6 - 10	120 / 150	1 x 50	25 A	1
		SS97721BBAE	SS96560BBAE	9 - 14	100 / 120	1 x 36	25 A	1
		SS97721BBAG	SS96560BBAG	9 - 14	100 / 120	1 x 50	25 A	1
		SS97721BCAE	SS96560BCAE	9 - 14	120 / 150	1 x 36	25 A	1
		SS97721BCAG	SS96560BCAG	9 - 14	120 / 150	1 x 50	25 A	1
	1.5 HP	SS97722BCAG	SS96989BCAG	9 - 14	120 / 150	1 x 50	25 A	1
		SS97722BCAF	SS96989BCAF	9 - 14	120 / 150	2 x 36	25 A	1
		SS97722BDAG	SS96989BDAG	9 - 14	150 / 200	1 x 50	25 A	1
		SS97722BDAF	SS96989BDAF	9 - 14	150 / 200	2 x 36	25 A	1
		SS97722BCCG	SS96989BCCG	11 - 18	120 / 150	1 x 50	25 A	1
		SS97722BCCF	SS96989BCCF	11 - 18	120 / 150	2 x 36	25 A	1
		SS97722BDCG	SS96989BDCG	11 - 18	150 / 200	1 x 50	25 A	1
		SS97722BDCF	SS96989BDCF	11 - 18	150 / 200	2 x 36	25 A	1
	2 HP	SS97723BDCF	SS96990BDCF	11 - 18	150 / 200	2 x 36	32 A	1
		SS97723BDCG	SS96990BDCG	11 - 18	150 / 200	1 x 50	32 A	1
		SS97723BECF	SS96990BECF	11 - 18	200 / 250	2 x 36	32 A	1
		SS97723BECG	SS96990BECG	11 - 18	200 / 250	1 x 50	32 A	1
		SS97723BDDF	SS96990BDDF	13 - 22	150 / 200	2 x 36	32 A	1
		SS97723BDDG	SS96990BDDG	13 - 22	150 / 200	1 x 50	32 A	1
		SS97723BEDF	SS96990BEDF	13 - 22	200 / 250	2 x 36	32 A	1
		SS97723BEDG	SS96990BEDG	13 - 22	200 / 250	1 x 50	32 A	1
	3 HP	SS97724BECH	SS97725BECH	11 - 18	200 / 250	2 x 50	32 A	1
		SS97724BEDH	SS97725BEDH	13 - 22	200 / 250	2 x 50	32 A	1

MF-G1 Single - Phase Submersible Pump Controller With MF1 Starter



Features

- Reliable overload protection through MF1 Starter
- Fitted with heavy duty Run Condenser
- Controller is fitted with ammeter on the door to monitor motor current
- Fitted with terminal block for pump and supply connection
- Rugged, powder coated enclosure

Application

- Suitable upto 2 HP
- Suitable for oil cooled Submersible pumps
- Suitable for Domestic & Agricultural purpose

Technical Details

Rating	upto 2 HP max, 230 V, 1Ø
Switch	MF1 (two pole)
Range	6.5-11 A, 12-20 A
Indicating Lamp	Motor ON
Rated Insulation	690 V
Rated Operational Voltage	230 V AC
Service Temperature	-5°C to + 55°C
Conformity to Standard	IS/IEC 60947-4-1
Terminal Capacity	2 x 6 sq. mm
Degree of Protection	IP54
Back-up Protection	Type 2 with HF fuses

Ordering Details

Starter Type	Suitable for Pump/Motor (HP)	Relay Range (A)	Catalogue No.	Run Capacitor 440 V, 50 Hz (MFD)
MF-G1 with Ammeter and Voltmeter	0.5 HP	6.5 - 11	SS9772800VC	1 x 25
			SS9772800VE	1 x 36
MF-G1 with Ammeter only	0.5 HP	6.5 - 11	SS9773400VC	1 x 25
			SS9773400VE	1 x 36
MF-G1 with Ammeter and Voltmeter	0.75 HP	6.5 - 11	SS9772900VC	1 x 25
			SS9772900VE	1 x 36
MF-G1 with Ammeter only	0.75 HP	6.5 - 11	SS9773500VC	1 x 25
			SS9773500VE	1 x 36
MF-G1 with Ammeter and Voltmeter	1 HP	6.5 - 11	SS9773000VE	1 x 36
			SS9773000VG	1 x 50
MF-G1 with Ammeter only	1 HP	6.5 - 11	SS9773600VE	1 x 36
			SS9773600VG	1 x 50
MF-G1 with Ammeter and Voltmeter	1 HP	12 - 20	SS9773000CE	1 x 36
			SS9773000CG	1 x 50
MF-G1 with Ammeter only	1 HP	12 - 20	SS9773600CE	1 x 36
			SS9773600CG	1 x 50
MF-G1 with Ammeter and Voltmeter	1.5 HP	6.5 - 11	SS9773100VG	1 x 50
			SS9773100VF	2 x 36
MF-G1 with Ammeter only	1.5 HP	6.5 - 11	SS9773700VG	1 x 50
			SS9773700VF	2 x 36
MF-G1 with Ammeter and Voltmeter	1.5 HP	12 - 20	SS9773100CG	1 x 50
			SS9773100CF	2 x 36
MF-G1 with Ammeter only	1.5 HP	12 - 20	SS9773700CG	1 x 50
			SS9773700CF	2 x 36
MF-G1 with Ammeter and Voltmeter	2 HP	12 - 20	SS9773200CF	2 x 36
			SS9773200CG	1 x 50
MF-G1 with Ammeter only	2 HP	12 - 20	SS9773800CF	2 x 36
			SS9773800CG	1 x 50
MF-G1 with Ammeter only	2 HP	12 - 20	SS9773800CH	2 x 50