

SPARES



Terminal Block
(3 & 6 way)

Terminal Block 100 A
(3 way)



Indicating Lamp Red & Green



Volt-Ammeter



SPPR Type Sz5



SPPR Type SDz5

Description	Cat. No.	Std. Pkg. (Nos.)
Terminal Block 60 A - 3 way	CS948060000	1
Terminal Block 60 A - 6 way	CS948080000	1
Terminal Block - 100 A - 3 way	CS943380000	1

Description	Cat. No.	Std. Pkg. (Nos.)
Indicating Lamp Red 415 V	CS94810D000	1
Indicating Lamp Green 415 V	CS94812D000	1

Description	Cat. No.	Std. Pkg. (Nos.)
Volt-Ammeter 500 V 30 A	CS94817EOEO	1
Volt-Ammeter 500 V 60 A	CS94817EOTO	1
Ammeter 0 - 100 A	CS943390000	1
Ammeter 0 - 125 A	CS943400000	1
Voltmeter 0 - 500 V	CS943410000	1

Description	Cat. No.	Std. Pkg. (Nos.)
360 V SPPR type z5	CS94801C000	1
380 V SPPR type z5	CS94801L000	1
415 V SPPR type z5	CS94801D000	1
380 V SPPR type Sz5 (7 Wire)	ST921660000	1
380 V SPPR type Sz5 (6 Wire)	CS94824L000	1
360 V SPPR type SDz5	XM818080000	1
415 V SPPR type SDz5	XM818090000	1

SPPR Type	Modes of Operation			Timer
	Auto	Manual	Bypass	
z5	√		√	
Sz5	√	√	√	
SDz5	√	√	√	√



MU-G10 & MU-G20
Three - Phase Submersible Pump Controllers

Product improvement is a continuous process. For the latest information and special applications, please contact our nearest branch office.

MU-G10



Features and Applications of MU-G10 & MU-G20 Pump Controllers

Features :

- Protection from Single - Phasing
- Protection from Overload Conditions
- Protection from Phase Reversal
- Protection from Phase Unbalance 55 V (± 5 V)
- Rugged MU Contactor with moulded coil
- Wide band coil, operates from -50% to +110% of rated coil voltage (e.g. 360 V coil operates from 180 V to 410 V)
- Indication of healthy supply connection

MU-G20



Features and Applications of MU-G10 & MU-G20 Pump Controllers

- Auto Restart (with 30 Sec ON delay)
 - Power ON & Pump ON indication
 - Unique Dual Volt-ammeter & Ammeter
 - Easy replacement of spares
 - Terminal block for easy termination
- Range :
- MU-G10 DOL - upto 10 HP
 - MU-G20 Star Delta - upto 20 HP
- Typical Applications :
- Borewell Submersible water pumps
 - Open well submersible pumps

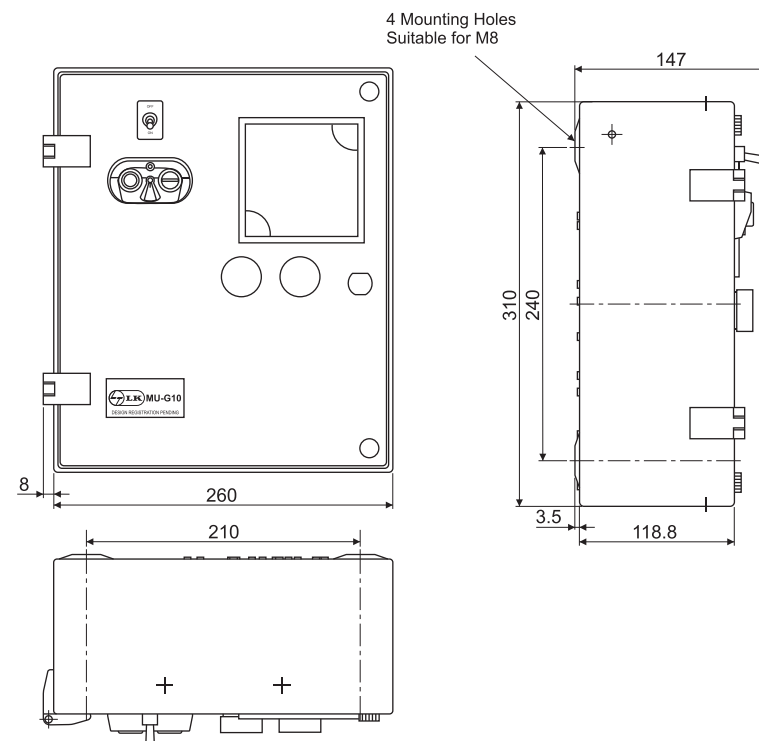
Technical Details for MU-G10 DOL Controller

Rating	upto 10 HP, 415 V, 3Ø
Contactor	MU1
Overload Relay	MU1 / MU2
Coil Voltage	415 V, 360 V
Pick-up Voltage	50% to +110% U _c
Drop-off Voltage	25% to 35% U _c
Measurement Offered	Ammeter Voltmeter
Indicating Lamps	Supply ON (3Ø) Pump ON
Rated Insulation Voltage	690 V
Rated Operational Voltage	415 V AC
Service Temperature	-5°C to 55°C
Conformity to Standard	IS/IEC 60947-4-1
Terminal Capacity	16 sq. mm with Lug
Degree of Protection	IP54
No. of full Start	30 per Hour
Back-up Operation	Type 2 with HF fuses

Ordering Details for MU-G10 DOL Controller

Type	Pump Rating at 415 V, 3Ø, 50 Hz		With Relay Range (A)	Catalogue No.		Std. Pkg. (Nos.)
	HP	kW		Coil Voltage 360 V	Coil Voltage 415 V	
MU-G10 DOL	3	2.2	4 - 6.5	SS95983COTO	SS95983DOTO	1
	5	3.7	6 - 10	SS95983COVO	SS95983DOVO	1
	7.5	5.5	9 - 14	SS95983COAO	SS95983DOAO	1
	10	7.5	13 - 21	SS95983COCO	SS95983DOCO	1
MU-G10H-DOL (Heavy duty)	10	7.5	20 - 32	SS95974COEO	SS95974DOEO	1
	10	7.5	28 - 42	SS95974COFO	SS95974DOFO	1

MU-G10 Overall Dimensions



Note: All Dimensions are in mm

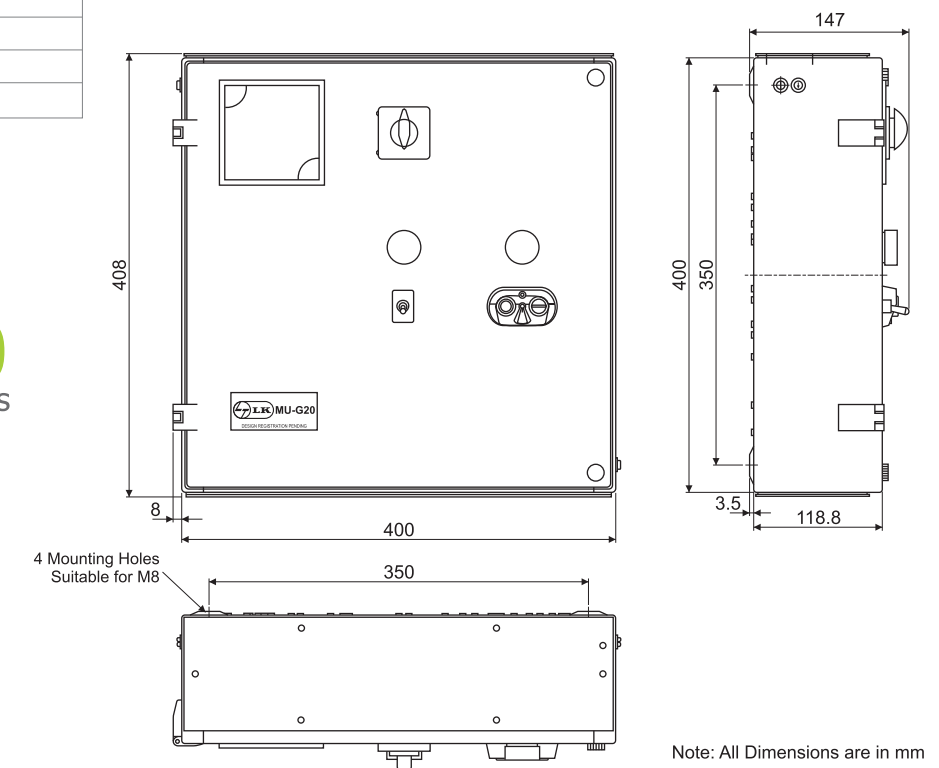
Technical Details for MU-G20 Star Delta Controller

Rating	upto 20 HP, 415 V, 3Ø
Contactor	MU1
Overload Relay	MU2
Coil Voltage	415 V, 360 V
Pick-up Voltage	50% to 110% U _c
Drop-off Voltage	25% to 35% U _c
Measurement Offered	Ammeter Voltmeter (with selector switch)
Indicating Lamps	Supply ON (3Ø) Pump ON
Rated Insulation Voltage	690 V
Rated Operational Voltage	415 V AC
Service Temperature	-5°C to 55°C
Conformity to Standard	IS/IEC 60947-4-1
Terminal Capacity	16 sq. mm with Lug
Degree of Protection	IP54
No. of full Start	30 per Hour
Back-up Operation	Type 2 with HF fuses

Ordering Details for MU-G20 Star Delta Controller

Type	Pump Rating at 415 V, 3Ø, 50 Hz		With Relay range (A)	Catalogue No.		Std. Pkg. (Nos.)
	HP	kW		Coil Voltage 360 V	Coil Voltage 415 V	
MU-G20 Star-Delta	15	11	9 - 14	SS95984COAO	SS95984DOAO	1
	20	15	13 - 21	SS95984COCO	SS95984DOCO	1
MU-G20H Star-Delta (Heavy duty)	20	15	20 - 32	SS95975COEO	SS95975DOEO	1
	20	15	28 - 42	SS95975COFO	SS95975DOFO	1

MU-G20 Overall Dimensions



Note: All Dimensions are in mm