

DURA LED Highbay

Asesh Kumar Dasgupta
Feb 2016



PHILIPS

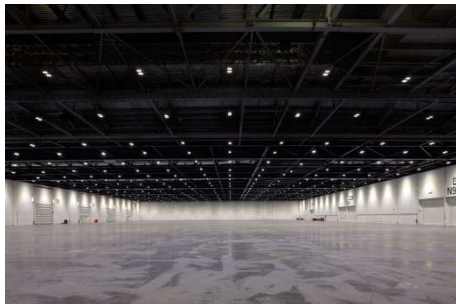
Contents

- Product Objective
- Customer requirements
- Product Specifications
- Product Applications
- Product Designation
- Product Comparative with conventional
- Product Ordering Data
- Mounting Instruction

Product Objective

- To design and provide a LED solution for replacement of 250W conventional highbay luminaires with best in class efficacy

Customers and their needs



- Industries / Factory owners
 - Save energy & reduce CO2 footprint
 - Operational budget savings
 - Maintenance cost reduction
 - Safe working environment with good lighting
- Installers:
 - Hassle-free installation process
 - Reliable system to avoid accidents/returns

Efficient lighting leads to a brighter future



Features :

- **Best energy-efficiency :** High system efficacy, 1:1 replacement of 250W HPI BU Lamp
- **Comfortable light:** CRI > 70 ensures better color rendering
- **Optimal lighting effects:** new light platform & optical design reduce 20% glare
- **Robust & Reliable:** IP65 & IK 07 protection and 35K hours system life time
- **Wider Industry Application:** Available with NB and WB optics and suited for ambient temperature upto 45 deg C
- **Reduced Weight:** Max 6 kg

PHILIPS

Product Specification Sheet

TYPE Name	BY325P LED100S CW PSE GR FG NB	BY325P LED100S CW PSE GR FG WB
Power(W)	80W	80W
Beam angle	FWHM 60°	FWHM 110°
Luminous Flux(lumen)	10000	10000
Corelated color temperature	6500K	6500K
Color rendering Index	>70	>70
Maintenance of lumen L 70 (hrs)	35 K	35 K
Ambient temperature (Ta)	45° C	45° C
operating temperature range	0-50° C	0-50° C

Driver		
Mains voltage	240V	240V
Options		
Optics	NB Optics	WB Optics
Optical cover	Glass	Glass
Material	Aluminum PDC	Aluminum PDC
Dimension(mm)(LXBXH)	385X330X160	385X330X160
Weight(kgs)	6	6

Product Specification Sheet

IP	65	65
IK	07	07
Class	I	I
Line Frequency	50/60 Hz	50/60 Hz
Power factor	>0.9	>0.9
Driver efficiency	>90%	>90%

Surge protection	2KV	2KV
Thermal protection	Yes	Yes
Total THD	<20 %	<20 %
Lum. Standards / Test certificate		
IEC 60598	Yes	Yes
IS 10322	Yes	Yes

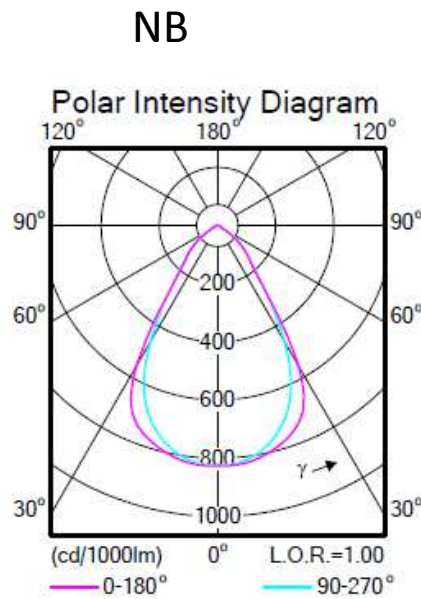
Versatile Application areas



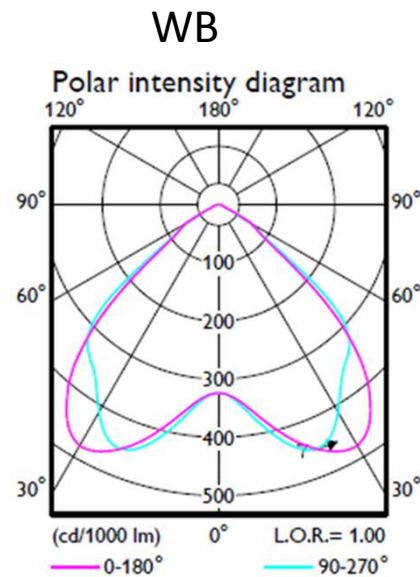
PHILIPS

Optimal lighting effects

- New designed optic module allows $UGR < 25$
- Two beam angle, WB, NB



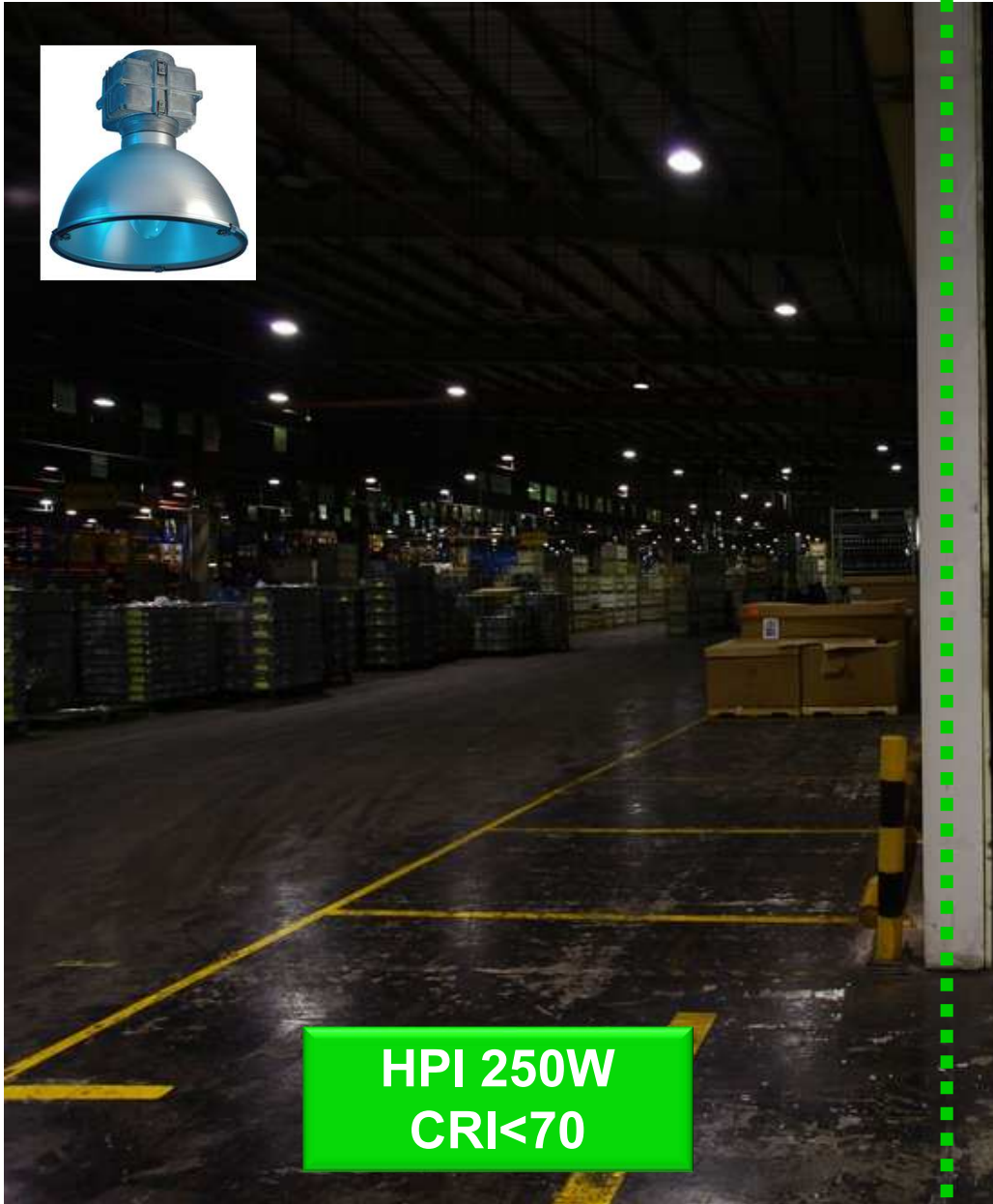
- Narrow beam
- FWHM 60°
- rotational symmetric
- centralized beam fit for high ceiling



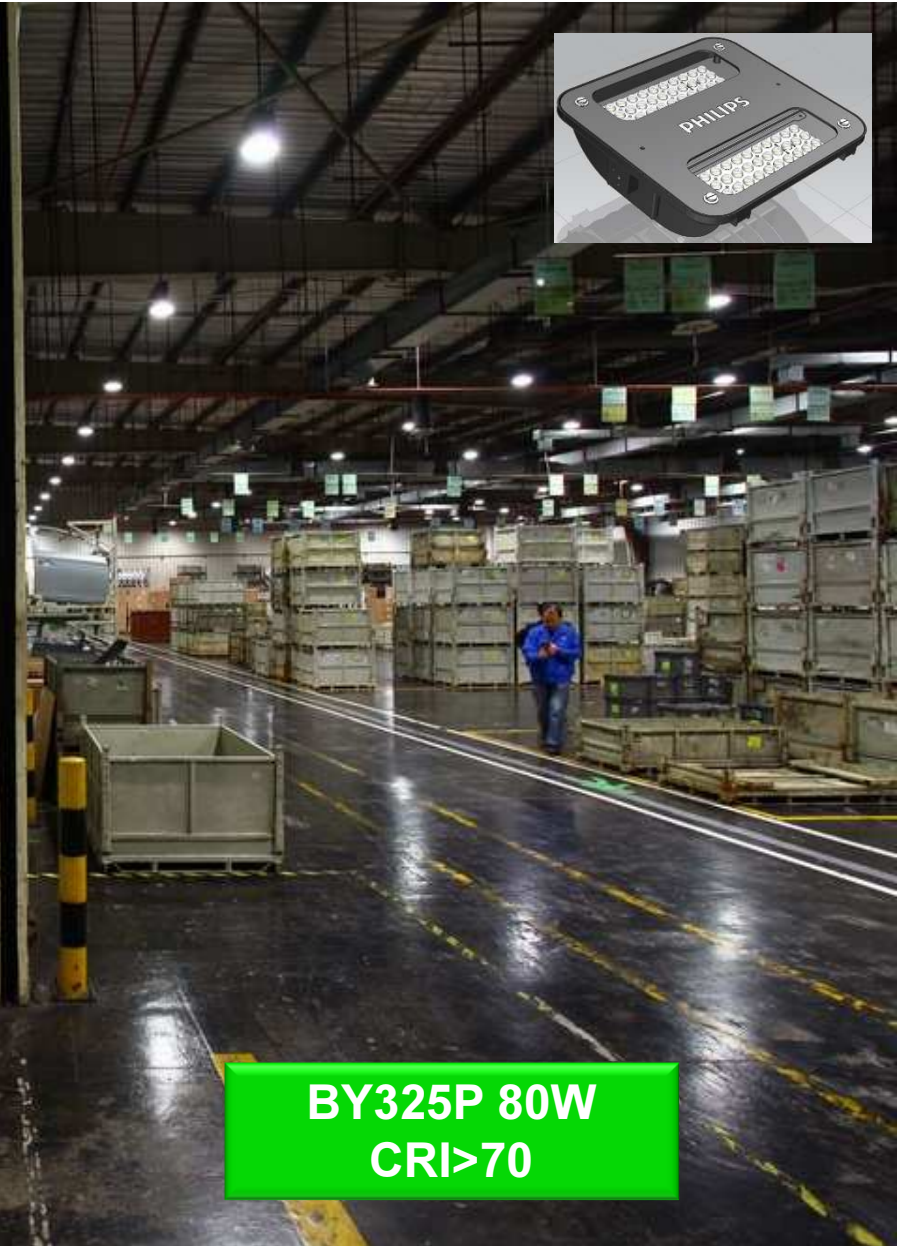
- Wide beam
- FWHM 110°
- Rotational symmetric
- fit for low ceiling and general lighting



Comfortable light



**HPI 250W
CRI<70**



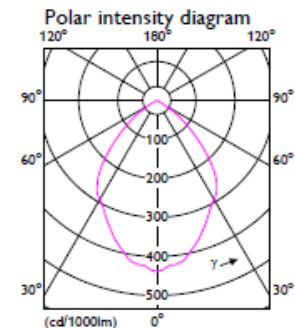
**BY325P 80W
CRI>70**

What does this product compare with?

Best Energy Efficiency

Parameter	250W HPI BU High Bay- Market	Dura LED Highbay
Lamp wattage	HPI BU 250W	80W LED System
Lamp lumen output	18000	
Luminaire efficiency	60%	
Effective lumen output	10800	10000
System wattage	277W	80W
Savings		~195W Per point
		>70% Per point

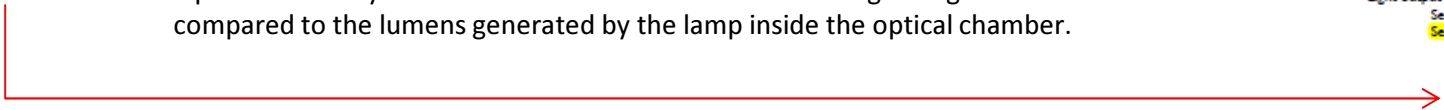
Savings > 70% against the conventional Highbay on EM (HPL) Gear



Downward Light Output Ratio = DLOR

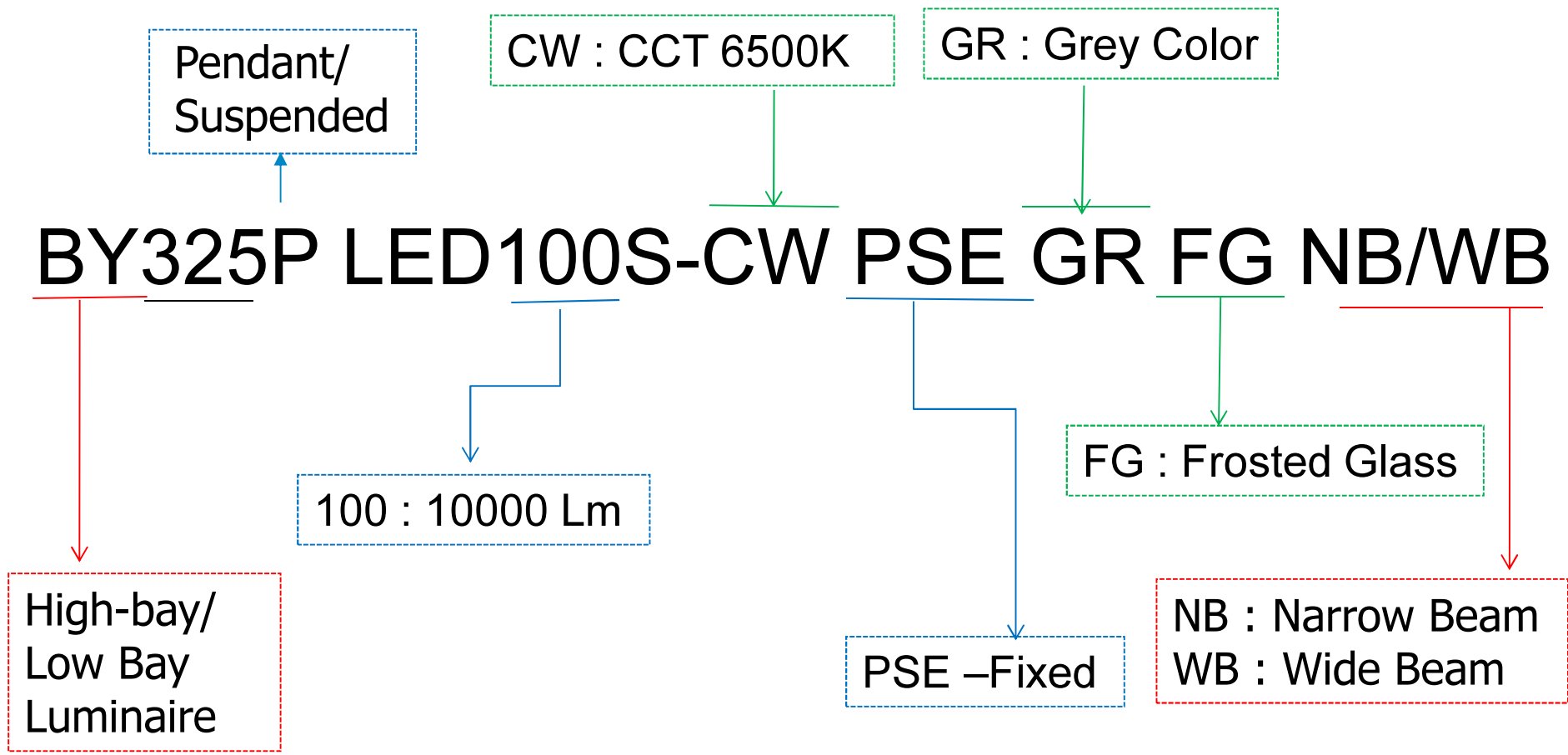
= Optical efficiency of the conventional luminaire in throwing the light downward compared to the lumens generated by the lamp inside the optical chamber.

Light output ratio 0.65
 Service upward 0.00
 Service downward 0.65



Ordering Codes

S No.	Mounting Type	12 NC	Item Description	Qty Per Box
1	Dura LED Highbay	9195 158 11279	BY325P LED100S-CW PSE GR FG NB	1
2	Dura LED Highbay	9195 158 11280	BY325P LED100S-CW PSE GR FG WB	1



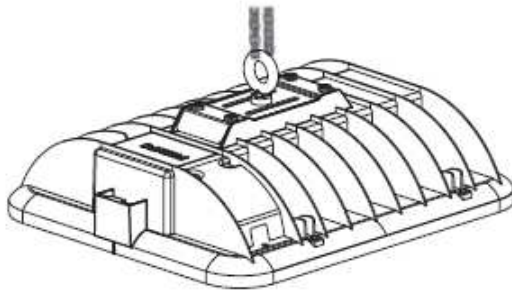
How to read the Cat ref

Mounting Instructions

LED HIGHBAY

Installation Instruction

Philips
Lighting



TYPE	: BY325P
LAMP	: LED
VOLTAGE	: 240 V, 50 Hz
IP CLASSIFICATION	: IP 65
NET WEIGHT	: 5.5 Kg.
MAX. PROJECTED AREA	: 0.1 m ²
CCT	: 6500 K
APPLICATION	: LED HIGHBAY

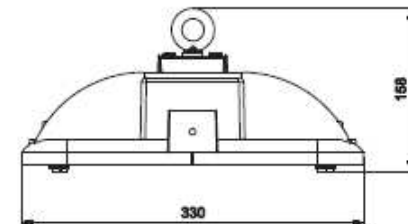
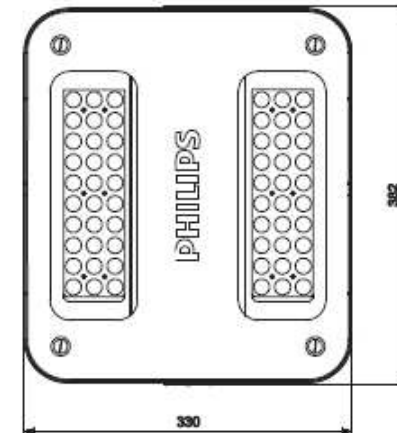
IP-65

Ta-45



Dimensions

Indoor Luminaire



PHILIPS

